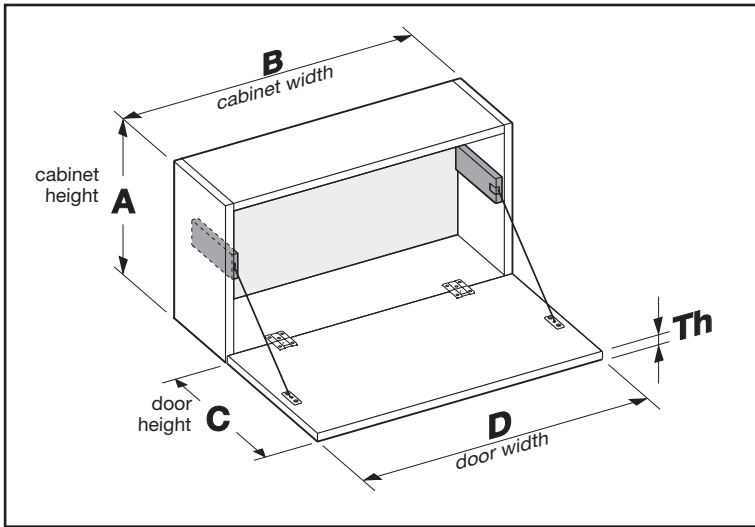




CUSTOMER:

REFERENCE:



IMPORTANT NOTES

TO IDENTIFY THE APPROPRIATED MECHANISM "LINK" IT IS NECESSARY FOR US TO GATHER THE FOLLOWING INFORMATIONS:

- DOOR DIMENSIONS
- DOOR WEIGHT WITH HANDLE(*)
- TYPE OF HINGES

(*) If you don't have the actual weight of the door, it is possible to estimate the weight by considering the density of the material.

Common materials:

- CHIPBOARD door 650 Kg/m³ (average value).
- MDF door 780 Kg/m³ (average value).

KIND OF HINGES



KIMANA hinges
(Recommended)



FLAP hinges

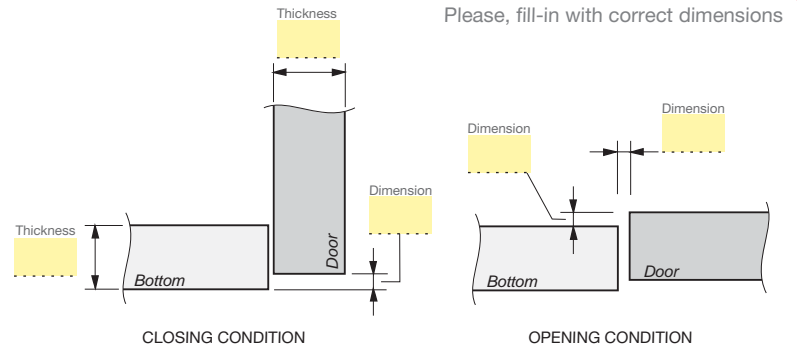


STANDARD UNSPRUNG hinges

Please specify producer, article code, mounting plate

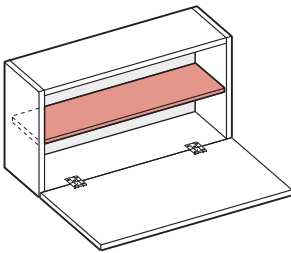
Other hinges

Please specify producer, article code, mounting plate



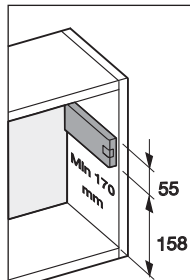
INNER SHELVES

The positioning of inner shelves (either fixed or removable) can lead to the modification of the standard drilling plan.



YES **NO**

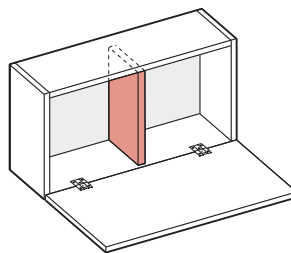
It's necessary to send us the exact positioning on a drawing



Standard position of mechanism LINK

PARTITIONS

Inner partitions can be used to add another opening mechanism (for particularly heavy doors).

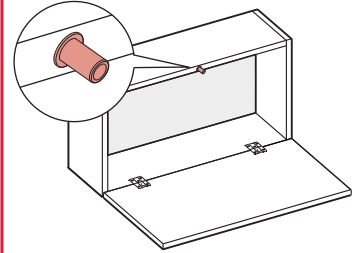


YES **NO**

It's necessary to send us the exact positioning and thickness on a drawing

K PUSH

In order to determine the right LINK settings, it's useful to know about the presence of K-PUSH.



YES **NO**

ID	Description	Cabinet		Door specifications					Actual	Estimated
		A Height mm	B Width mm	C Height mm	D Width mm	Th mm	Weight Kg			
1										
2										
3										
4										
5										

LINK FINISHES			
GREY PE11	WHITE RAL 9010	T - MET	GUNMETAL