

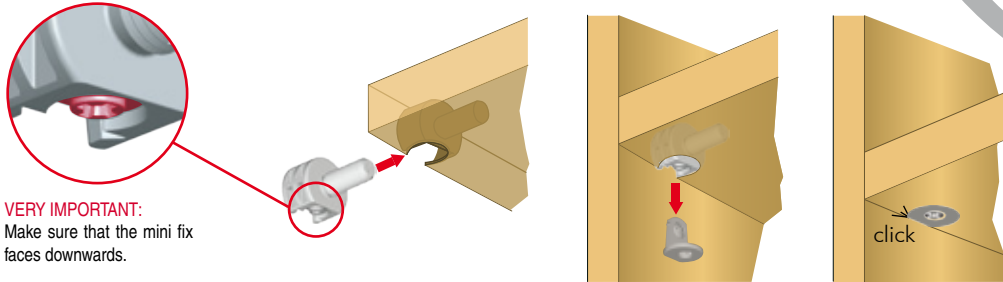
BLITZ ROUND LEDGE



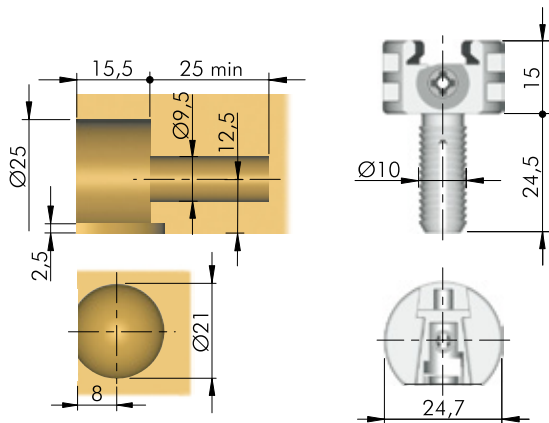


BLITZ is the shelf support slotted into the shelf by making edge borings. If required the side bracket ledge can flush with the underside of the shelf by making face borings. The sleeve expands by inserting the provided pin, which improves the structural fastening of the shelf to the sides of the furniture. The shelf has to be pushed downwards onto the side bracket, which can be screwed into any position required. The side brackets slot into the socket of the shelf supports and a first click locks the shelf in position. After turning the cam pin placed inside the shelf support 180° anticlockwise, the shelf is really locked.

BLITZ ROUND LEDGE is available for 30 and 39mm shelf thickness.

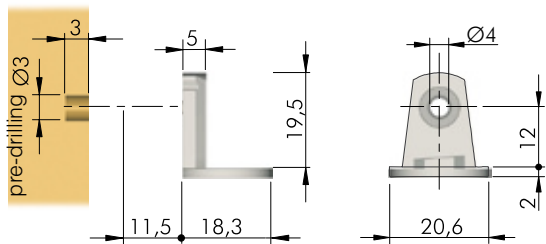

INSTALLATION


VERY IMPORTANT:
Make sure that the mini fix faces downwards.

SUPPORT FOR BLITZ


Zinc alloy
Zinc alloy nickel plated
Engineering plastic

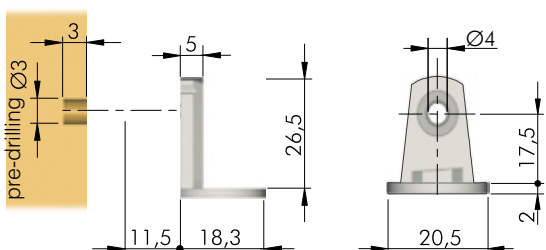
Part. no	Finish
11201030EA	Black

BRACKET FOR BLITZ - MINIMUM 30mm THICK WOOD SHELVES


Zinc alloy

Part. no	Finish
11205010YA	Nickel-plated

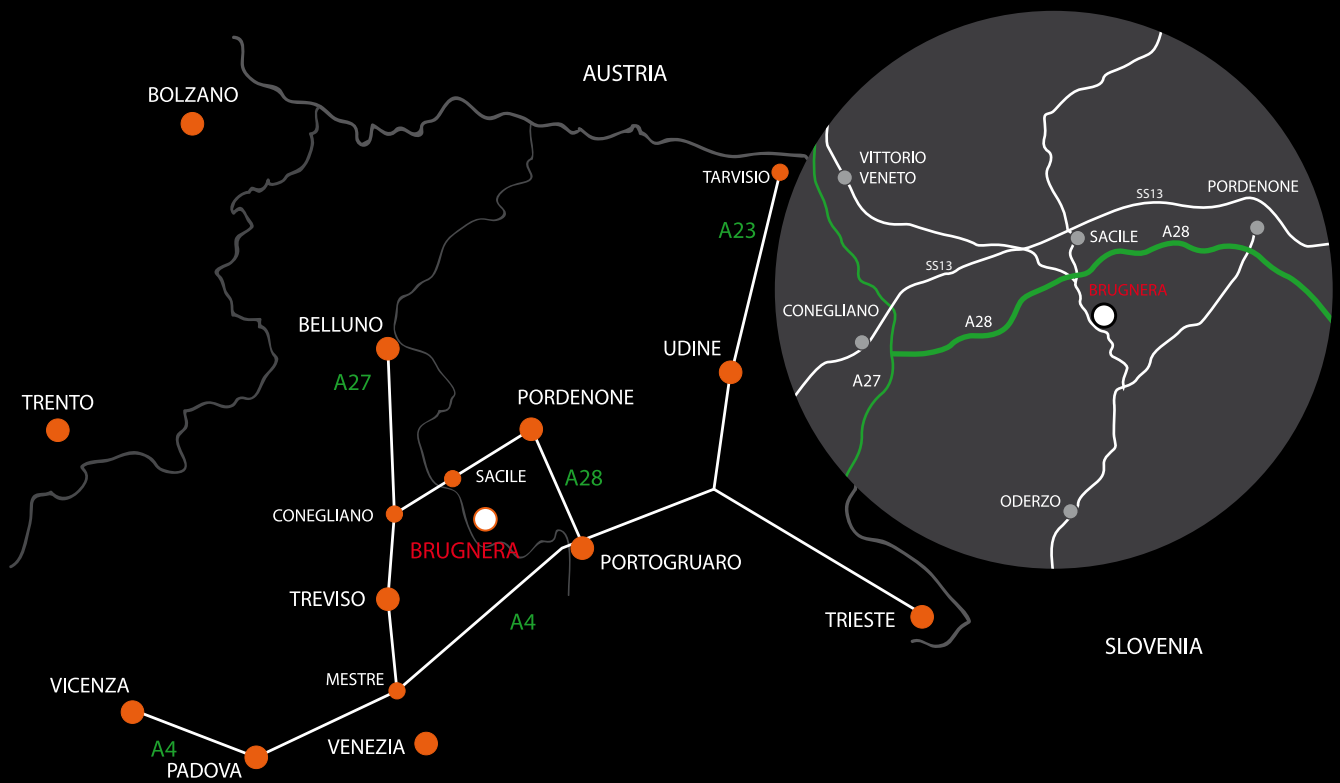
Other finishes available on request

BRACKET FOR BLITZ - MINIMUM 39mm THICK WOOD SHELVES


Zinc alloy

Part. no	Finish
11206010YA	Nickel-plated

Other finishes available on request



ITALIANA FERRAMENTA

Via Taglio n° 87 I - 33070 Maron di Brugnera (PN) Tel. +39 0434 428211 Fax +39 0434 428242 www.italianaferramenta.com info@italianaferramenta.it