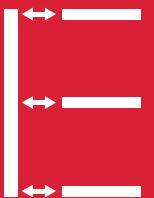
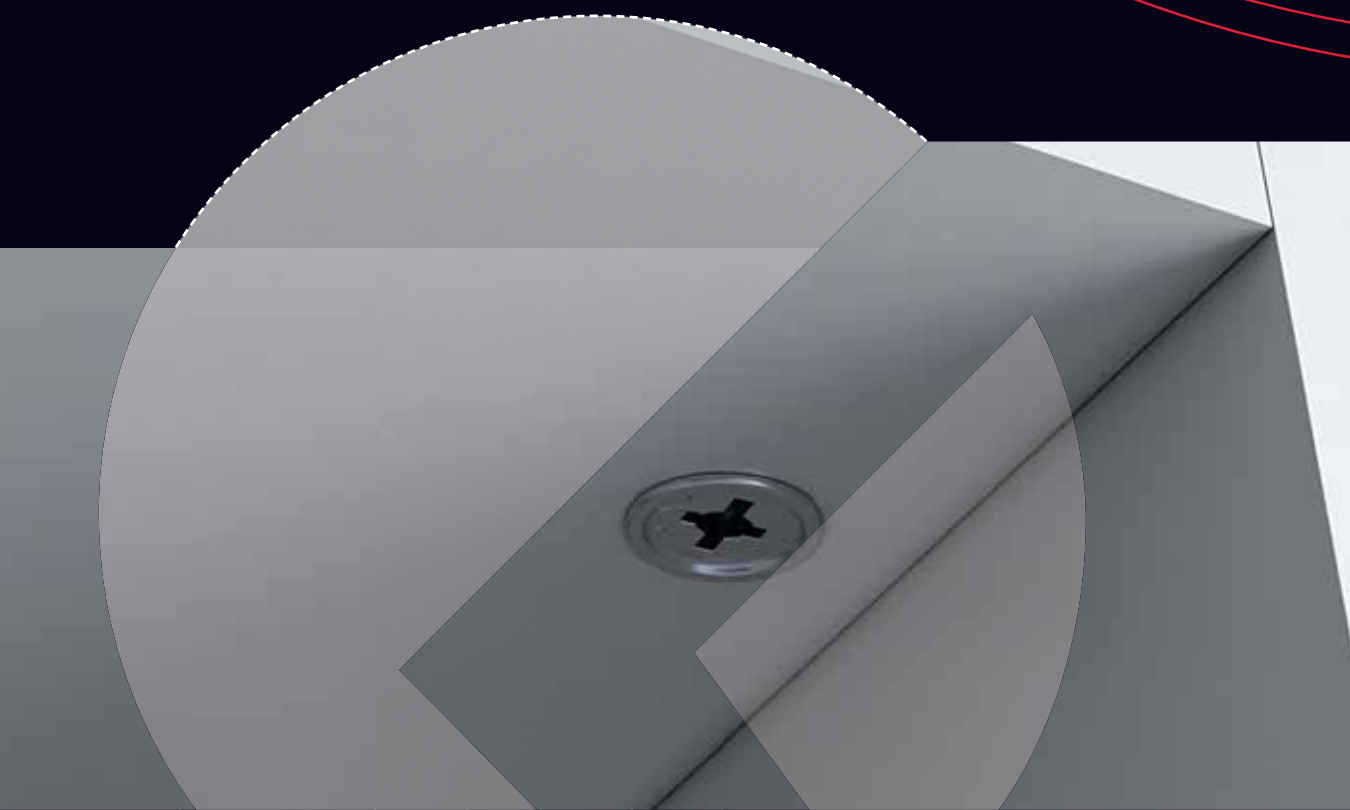




# CAMS AND DOWELS



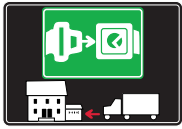
CONNECTINGS





# SYMBOLS AND FINISHES LEGEND

## SYMBOLS



= SHELF SAFELY LOCKED DURING TRANSPORTATION AND AT HOME.



= ANTI-TURNOVER LOCKING SYSTEM



= NORMS / PATENTS



= PHILLIPS / POZIDRIV



= NEWTON



= PART.NO



= HEXAGONAL SOCKET



= FRICTION



= PCS. PER PACKAGE



= BLADE SLOT



= AUTOMATIC



= COMBI SLOT



= DROP DOWN



= CAPACITY LOADING



= COUNTERSUNK HEAD



= WOOD / GLASS THICKNESS



= PAN HEAD



= STANDARD HINGE



= HOLE DIAMETER



= FLANGE HEAD



= KIMANA HINGE



= DIAMETER



= FLAT HEAD



= FLAP HINGE



= LENGTH



= TRILOBULAR SCREW



= WITH SPRING



= HEIGHT



= SELF-TAPPING SCREW



= WITHOUT SPRING



= RIGHT VERSION



= EURO THREAD



= REVERSED SPRING



= LEFT VERSION



= METRIC THREAD



= SETTING CODE



= PRE-INSERTED SCREW



= FOR ROUND TUBE



= PCS. PER PAD



= PRE-INSERTED SCREW AND SPREADING BUSH



= FOR OVAL TUBE



= CUT ON REQUEST



= WITH BUFFER



= SELF ADHESIVE



= WITH MAGNET



= WITH FLANGE

NOTE: Printing errors and omissions may exist despite our best efforts to ensure accuracy. We reserve the right to alter specifications without notice.

## MATERIALS

<b>ZA</b> = Zinc Alloy	<b>ST</b> = Steel	<b>HSS</b> = High Speed Steel	<b>BR</b> = Brass	<b>ABS</b> = Acrylonitrile Butadiene Styrene
<b>ZAnk</b> = Nickel-plated Zinc Alloy	<b>STzk</b> = Zinc-plated Steel	<b>AL</b> = Aluminium	<b>WD</b> = Wood	<b>EVA</b> = Ethylene Vinyl Acetate

**EP** = **ENGINEERING PLASTIC**

+ **EP** = other engineering plastic available on request

**SR** = **SOFT RUBBER**

+ **SR** = other soft rubber available on request

<b>EPn</b> = Natural Engineering Plastic	<b>EPc</b> = Clear Engineering Plastic	<b>SRn</b> = Natural Soft Rubber
<b>EPw</b> = White Engineering Plastic	<b>EPg</b> = Grey Engineering Plastic	<b>SRw</b> = White Soft Rubber
<b>EPwg</b> = Water Green Engineering Plastic		<b>SRb</b> = Black Soft Rubber



## FINISHES



+ = OTHER FINISHES AVAILABLE ON REQUEST

AA	Natural	JB	Bright Aluminium	QB	Walnut
AB	White	JC	Aluminium - Chrome	RO	Red
AC	Opal White	JD	Matt Aluminium	UZ	T -Met
AE	White 9010	JE	Satin-finished Aluminium	WA	Bronzed
AK	Champagne	JF	Aluminium - Brass	WI	Burnished
AL	Ivory	JG	Aluminium 5	XD	Satin-finished Steel
EA	Black	JL	Aluminium PE 11	YA	Nickel-plated
EB	Glossy Black	JM	Aluminium RAL 9006	YB	Bright Nickel-plated
EC	Matt Black	KA	Chrome	YC	Matt Nickel-plated
EE	Anthracite	KB	Bright Chrome	YD	Satin-finished Nickel-plated
FU	Gunmetal	KC	Matt Chrome	ZA	Zinc alloy
GR	Raw	MA	Brown	ZN	Zinc-plated
HA	Brass-Plated	MB	Light Brown 1	ZQ	Bright Gold
HH	Tropicalized	NN	Metallic Beige	ZY	Titanium
HL	Raw Brass	NO	Beige	ZZ	Clear
IA	Grey	OA	Oak	00	Insignificant finish
IB	Metallic Grey	OZ	Ash		
IF	Middle Grey	PA	Light Ash		
IJ	Light Grey	PZ	Beech		
IL	Grey 20	QA	Maple		

## CAMS AND DOWELS



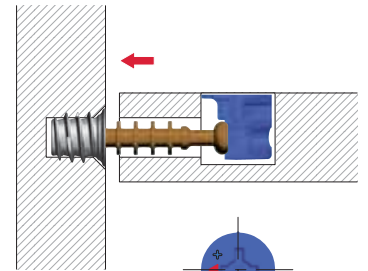
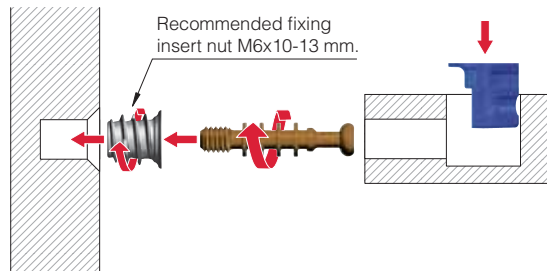
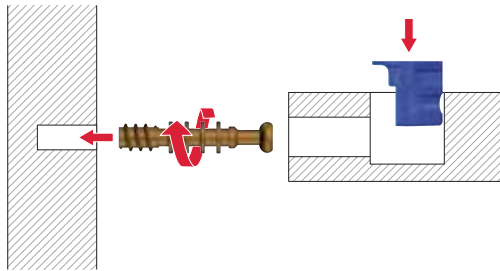
16 mm min.



INSTALLATION WITH WOOD THREADED DOWEL

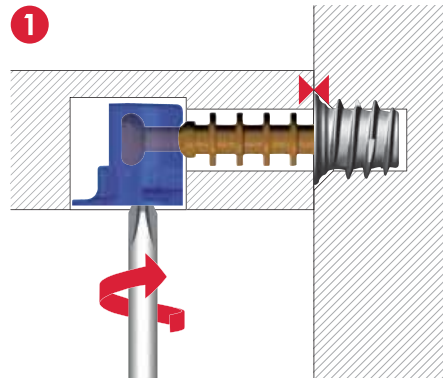
INSTALLATION WITH M6 DOWEL

ASSEMBLING

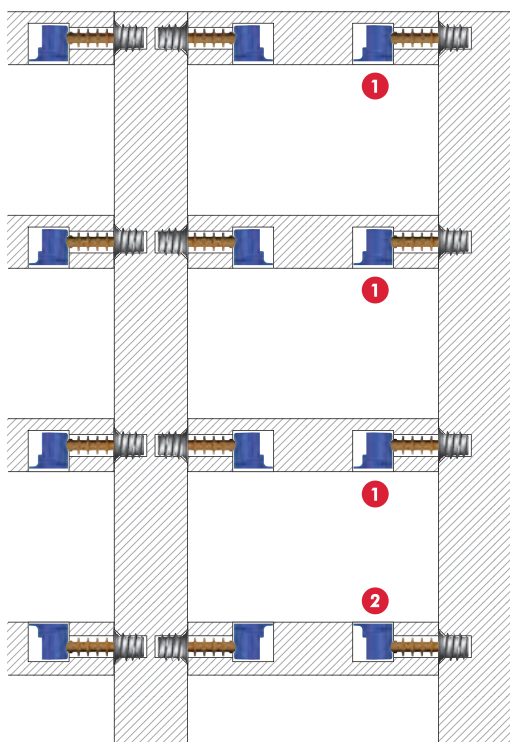
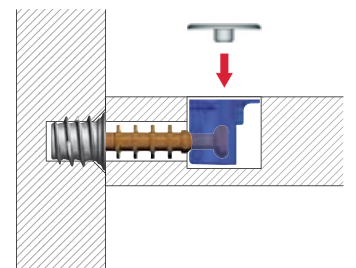
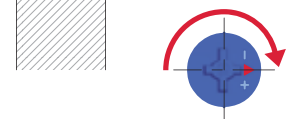
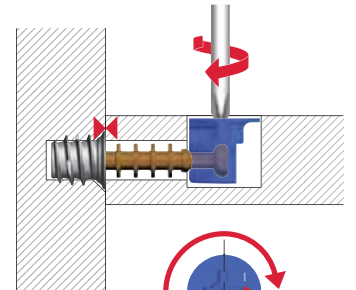
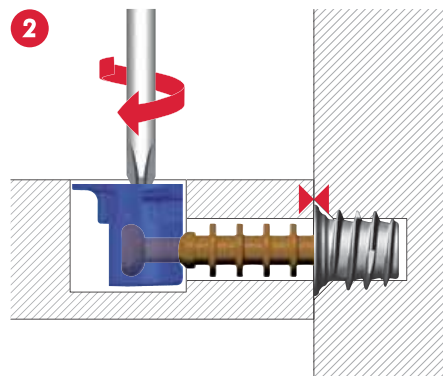


### STRUCTURAL FASTENING WITH CROSS PZ3 SCREWDRIVER OR S4 ALLEN WRENCH:

From the lower side, for the shelves and for the top.

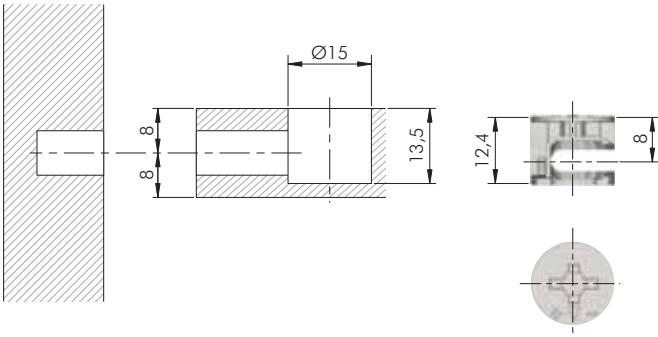





From the upper side, for the furniture floor.










## CAM 16 mm

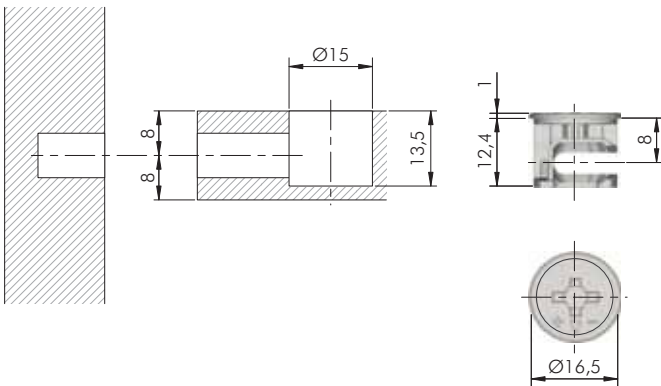





 = Ø 15 mm   
  = PZ3   
 + 



 = S4



                     
  = 2000 pcs.



   
 21301040ZN  
 21301040GR



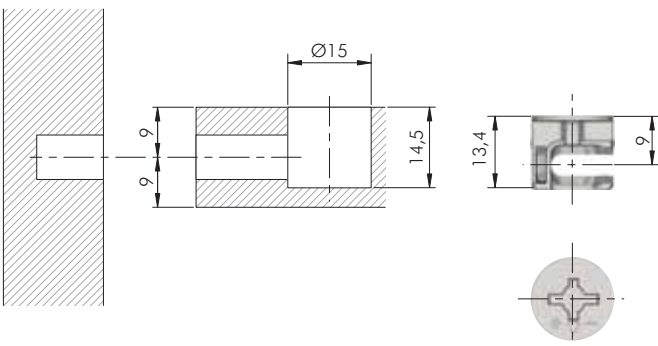
 = Ø 15 mm   
  = PZ3   
 + 




 = S4                     
 


                     
  = 2000 pcs.



   
 21302020ZN  
 21302020GR



## CAM 18 mm

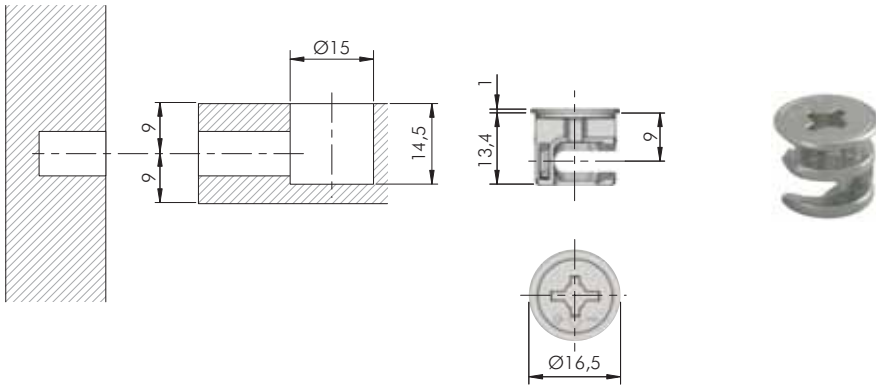


 = Ø 15 mm   
  = PZ3   
 + 

 = S4

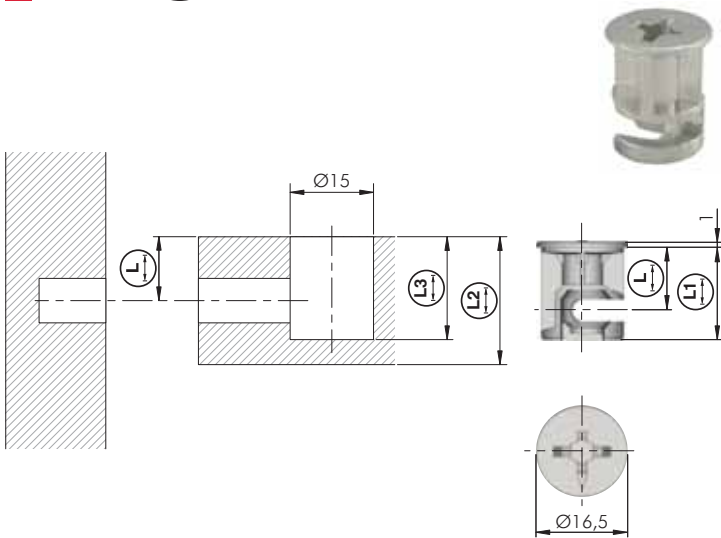
                     
  = 2000 pcs.

   
 21306010ZN  
 21306010GR



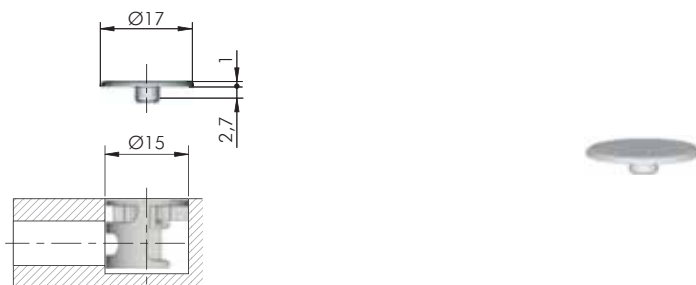
	= Ø 15 mm		= PZ3	
	= S4			
			= 2000 pcs.	
	21307010Z <b>N</b>			
	21307010G <b>R</b>			

## CAM 23 mm



	= Ø 15 mm		= PZ3		
	= S4				
			= 2000 pcs.		
21302040Z <b>N</b>		11,5	16	23	17
21302050Z <b>N</b>		12,5	17	25	18
21302060Z <b>N</b>		14,5	19	29	20

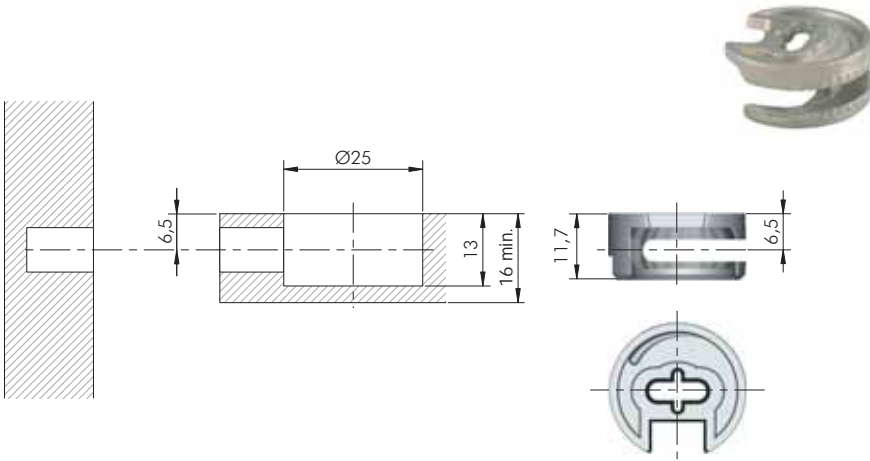
## CAMS ACCESSORY









			= 2000 pcs.	
	23008010A <b>B</b>			

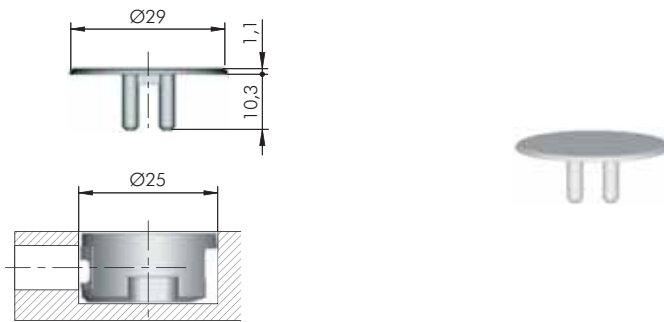








## CAM 25 mm



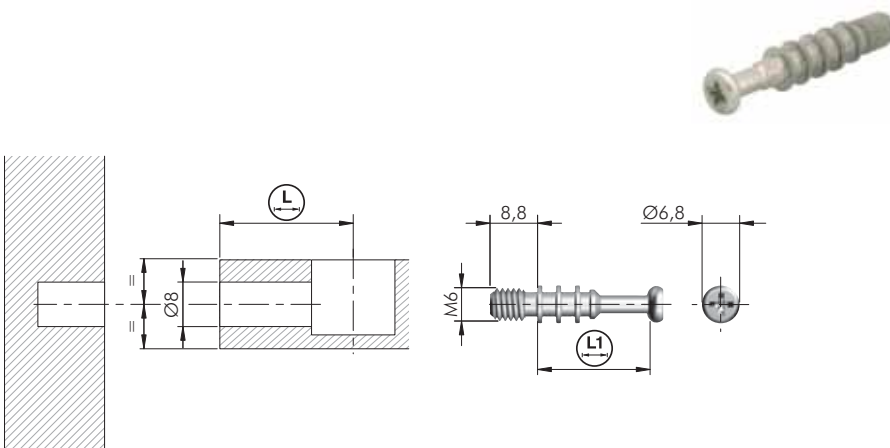
  = 16 mm min.  
  = 1000 pcs.  
   
 21303010GR




## CAM 25 mm ACCESSORY








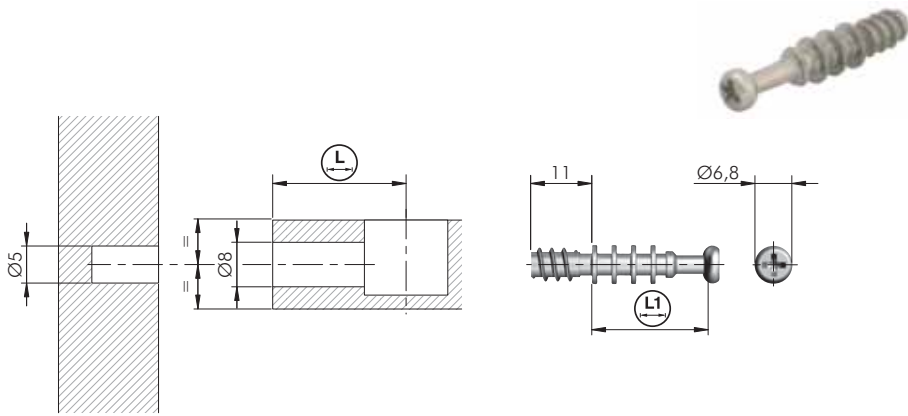
   
  = 5000 pcs.  
   
 23009050AB

## DOWELS FOR CAMS

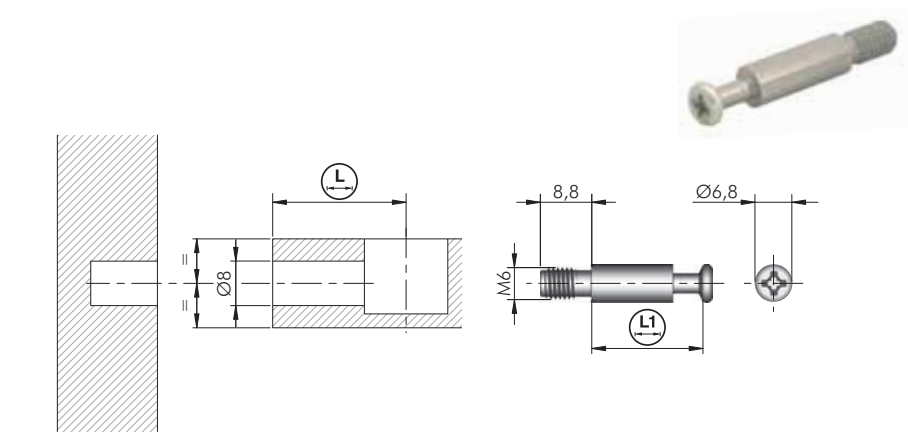


 = M6  = PZ2  


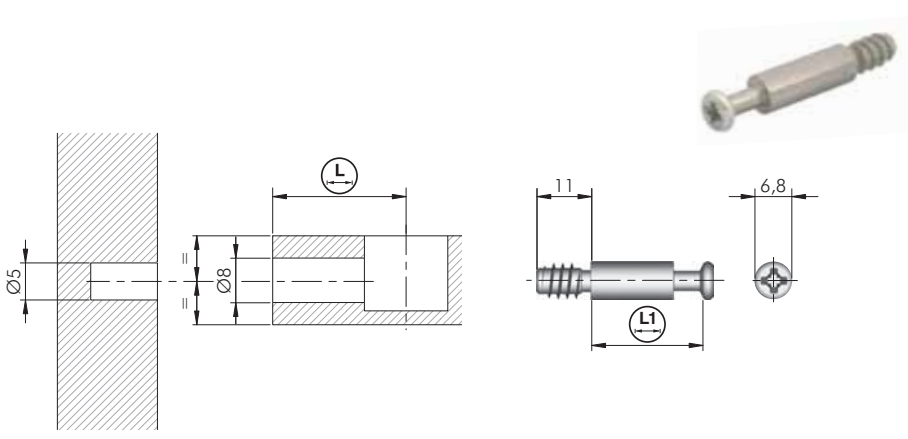
 			
21401010ZN	24	20,4	3500
21401020ZN	28,5	24,4	2500
21401030ZN	34	30	2500



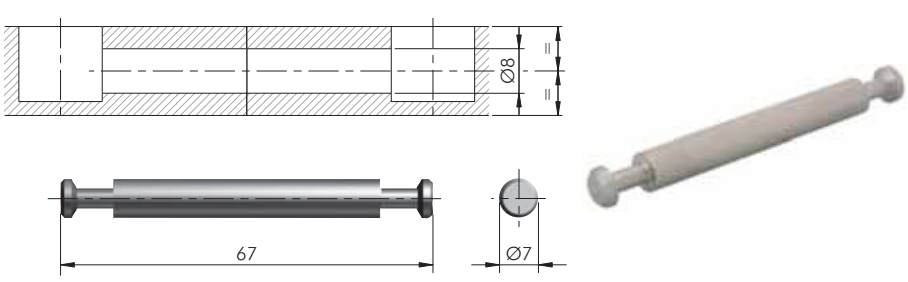
	= PZ2		
ST			
21402010ZN	24	20,4	2000
21402020ZN	28,5	24,4	2500
21402030ZN	34	30	2000



= M6	= PZ2		
ST	= 2000 pcs.		
21401120ZN	24	19,7	
21401130ZN	28,5	24,9	
21401140ZN	34	29,7	



	= PZ2		
ST	= 2000 pcs.		
21402070ZN	24	19,7	
21402080ZN	28,5	24,9	
21402090ZN	34	29,7	

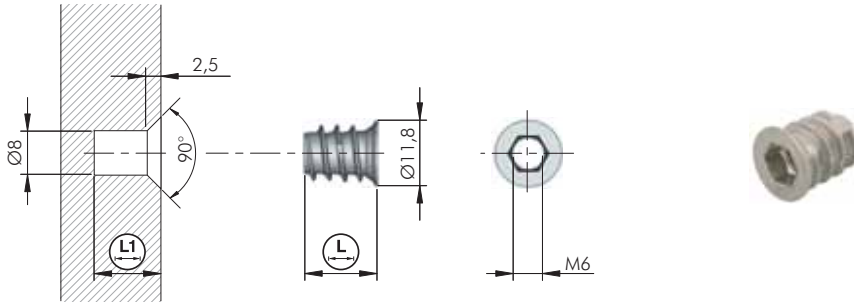


ST	= 1000 pcs.		
21404020ZN			

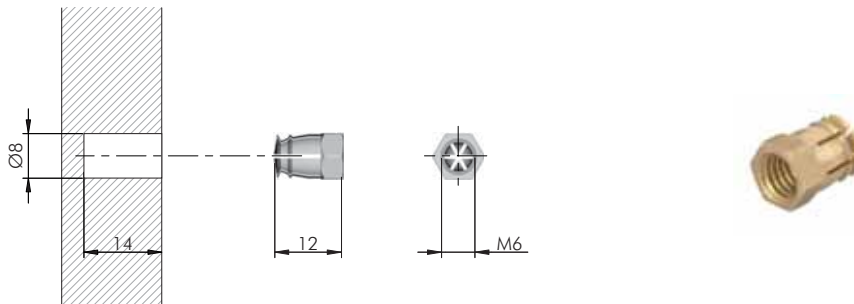




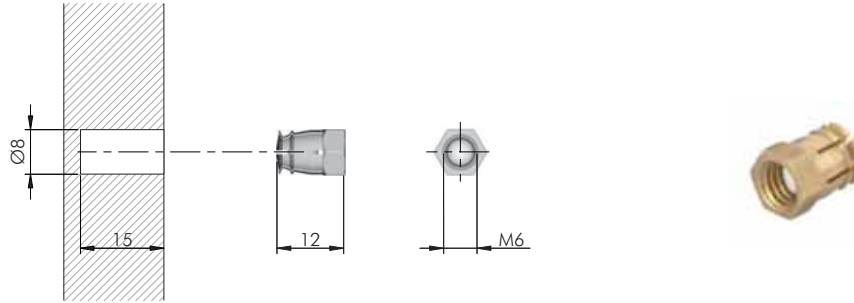
## CAMS AND DOWELS FIXING ACCESSORIES



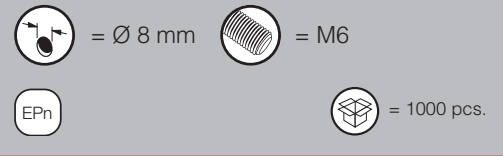
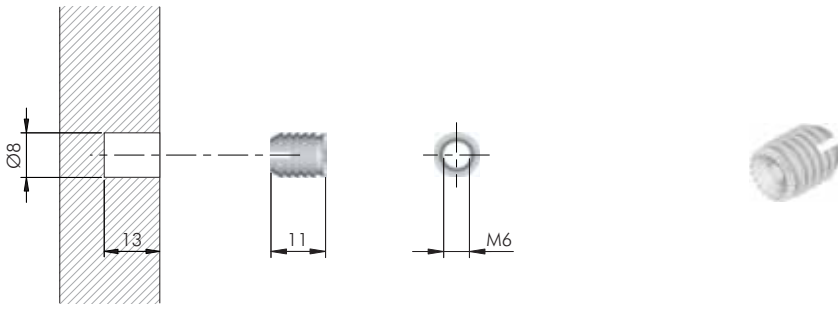
= Ø 8 mm	= M6	
	= S6	
	= 5000 pcs.	
20102010GR	10	12
20102020GR	13	15



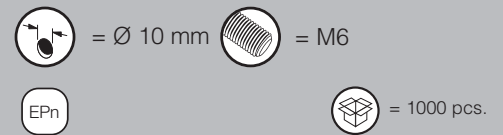
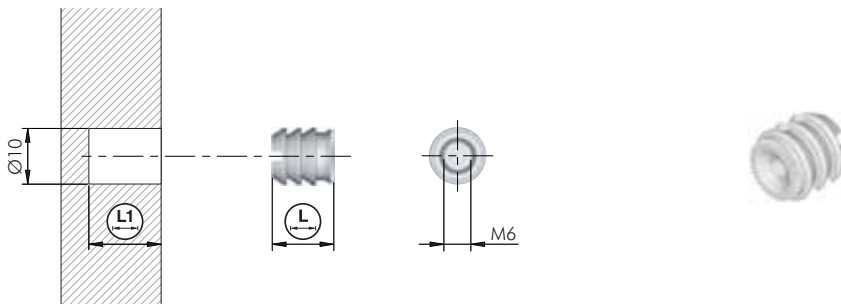
= Ø 8 mm	= M6	
	= 5000 pcs.	
20506020HL		



= Ø 8 mm	= M6	
		= 10.000 pcs.
20507061HL		



20303030AA



20304030AA



11

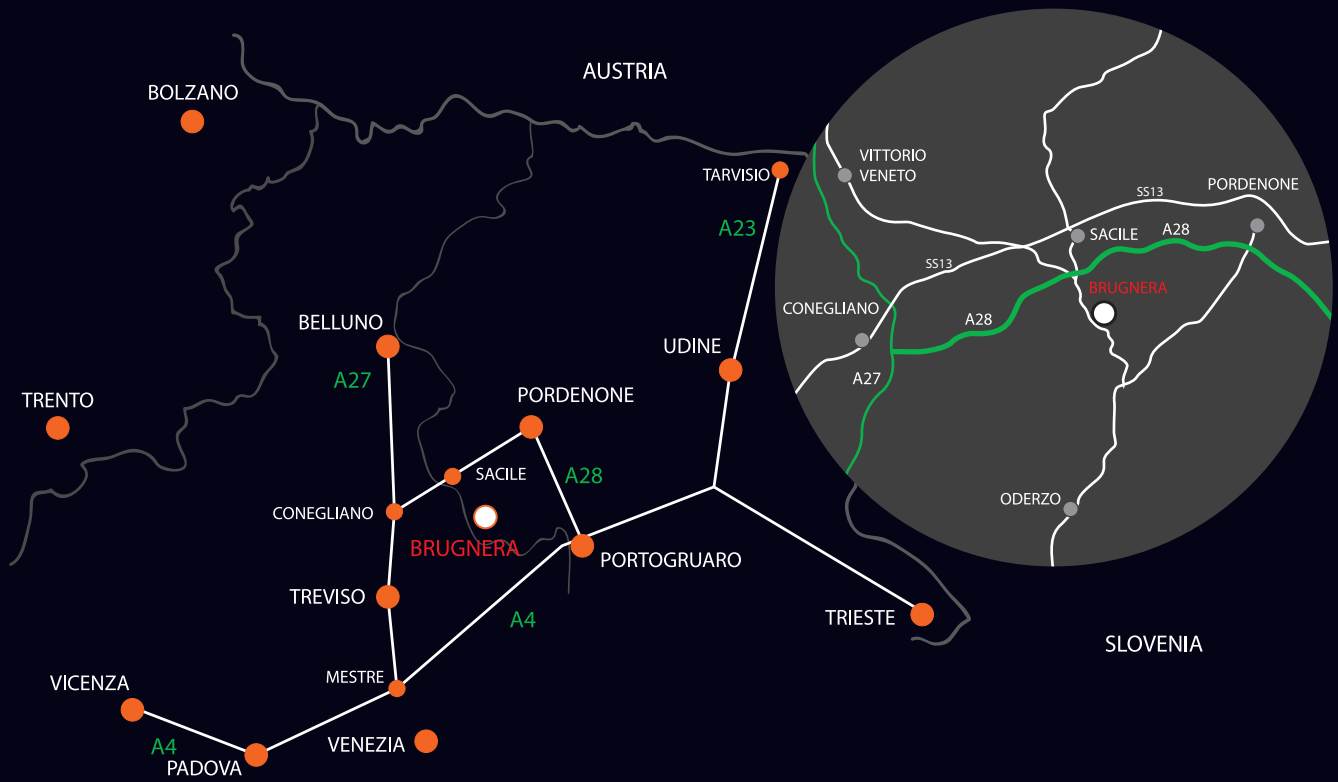


13

20304040AA

13

15



[www.italianaferramenta.com](http://www.italianaferramenta.com)