

COBRONE





Shelf support for glass shelves 5 to 10mm thick.
The capacity loading is 3Kg each (glass shelf weight included) for a shelf 150mm deep.

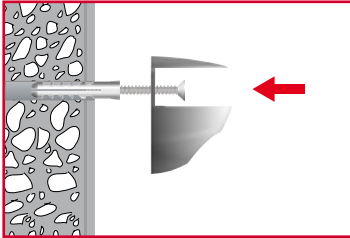
Tested in accordance with CATAS procedures.

Zinc alloy
Engineering plastic

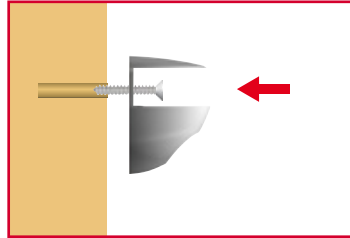


ASSEMBLING

FIXING TO CEMENT WALL WITH RAWLPLUG AND Ø 4mm
COUNTERSUNK HEAD SCREW

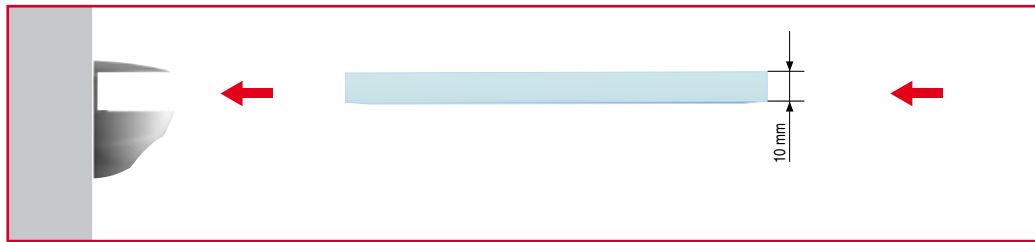


FIXING TO WOOD PANELS WITH Ø 4mm
COUNTERSUNK HEAD SCREW ONLY

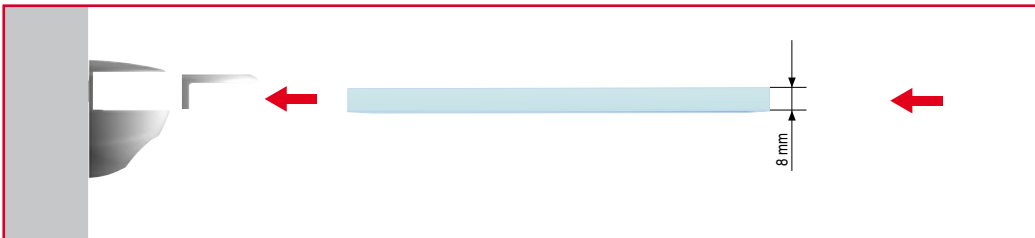


It is the responsibility of the customer:
- to ensure the wall is of a suitable quality
to hold the shelf fixing in place.
- to use the proper hardware fittings according
to the construction of the wall.

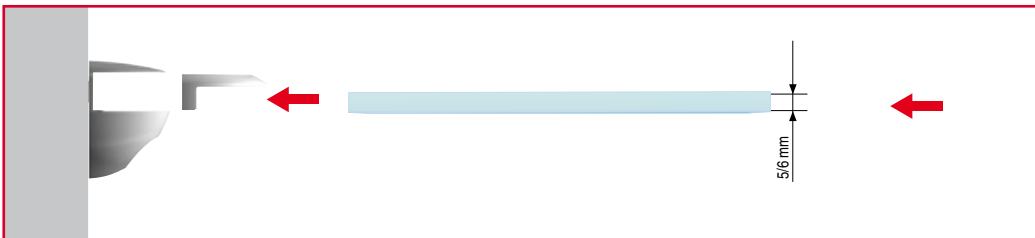
ASSEMBLING WITHOUT ADAPTER FOR GLASS 10mm THICK



ASSEMBLING WITH THIN ADAPTER FOR GLASS 8mm THICK

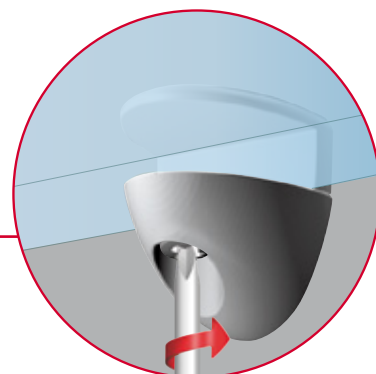
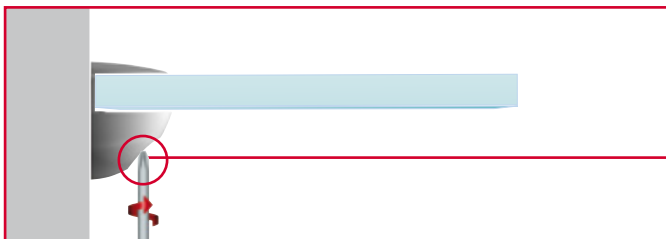


ASSEMBLING WITH THICK ADAPTER FOR GLASS 5/6mm THICK

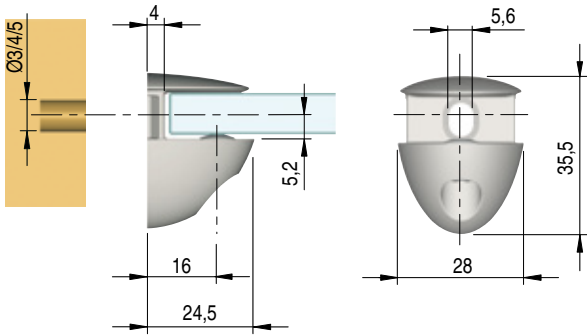


FIXING

SECURE THE GLASS IN POSITION BY SCREWING CLOCKWISE THE NYLON LOCKING INSERT UNTIL THE
GLASS IS SAFELY LOCKED.



COBRONE

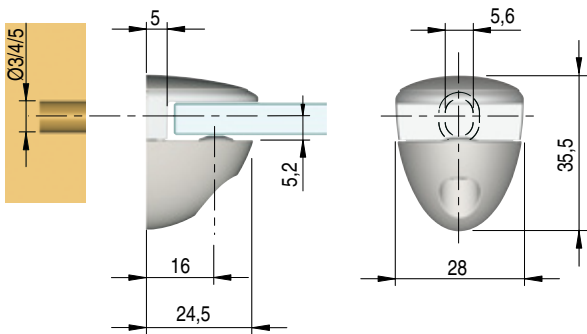


With countersunk oval fixing hole for 10mm glass shelf.

Part. no	Finish
16101010YC	Nickel matt-plated
16101010KC	Chrome matt-plated
16101010KB	Chrome bright-plated

Other finishes available on request

COBRONE

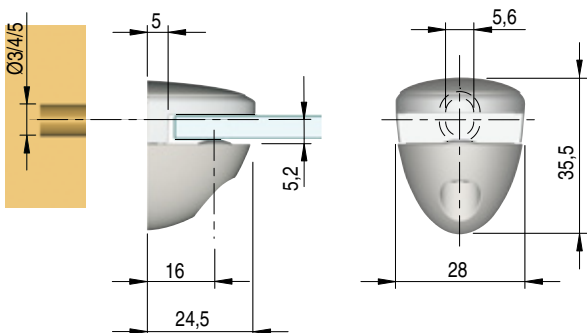


With countersunk oval fixing hole for 8mm glass shelf.

Part. no	Plastic	Finish
16101150YC	Natural	Nickel matt-plated
16101150KC	Natural	Chrome matt-plated
16101150KB	Natural	Chrome bright-plated

Other finishes available on request

COBRONE

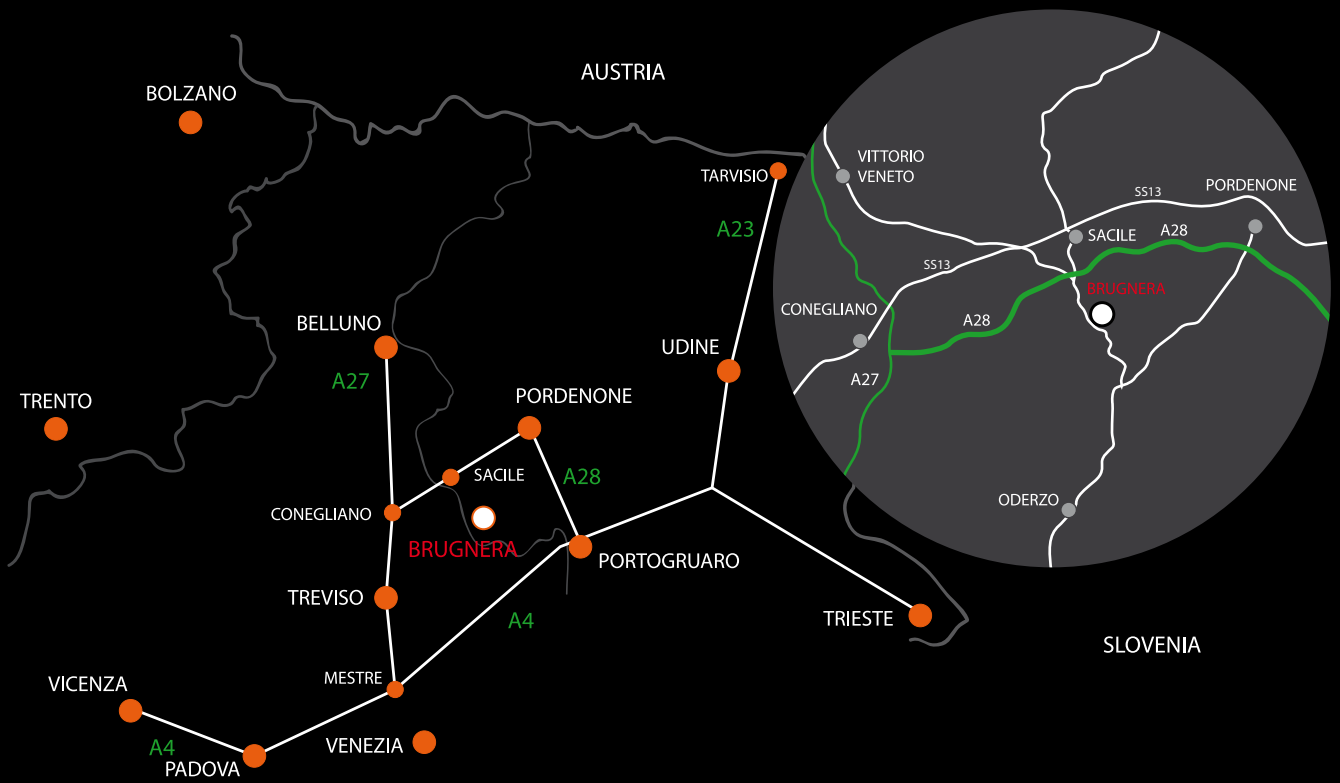


With countersunk oval fixing hole for 5 to 6mm glass shelf.

Part. no	Plastic	Finish
16101140YC	Natural	Nickel matt-plated
16101140KC	Natural	Chrome matt-plated
16101140KB	Natural	Chrome bright-plated

Other finishes available on request





ITALIANA FERRAMENTA

Via Taglio n° 87 I - 33070 Maron di Brugnera (PN) Tel. +39 0434 428211 Fax +39 0434 428242 www.italianaferramenta.com info@italianaferramenta.it