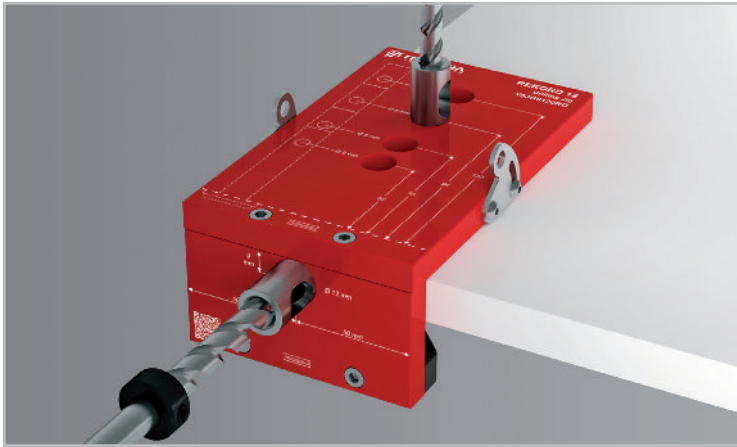


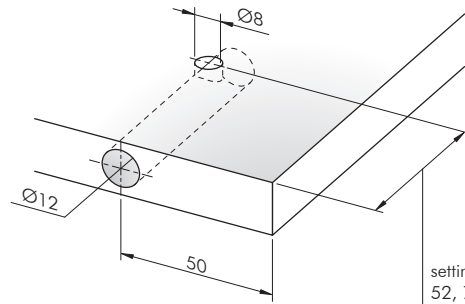
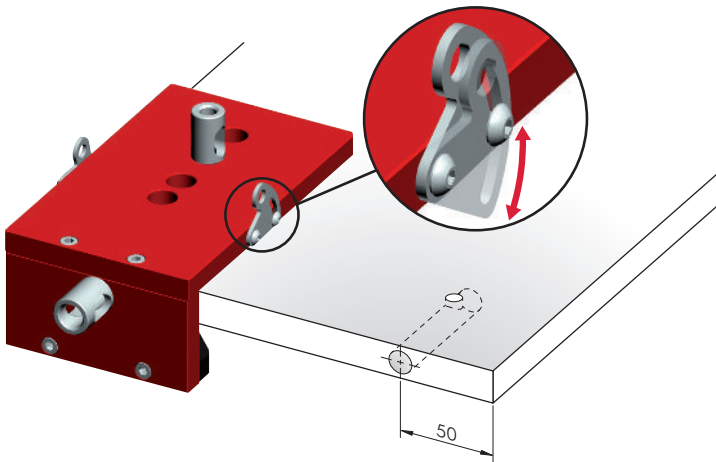


DRILLING JIG REKORD 12



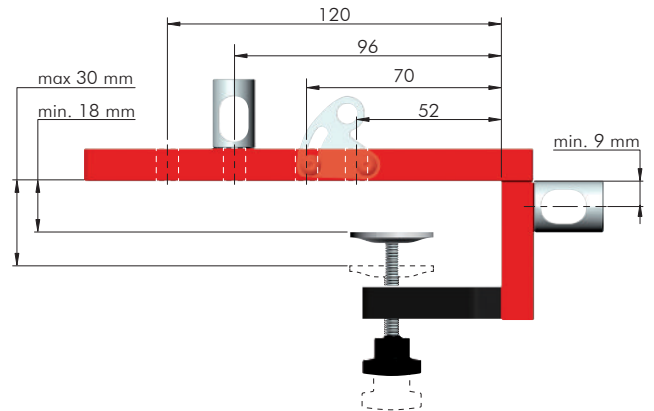
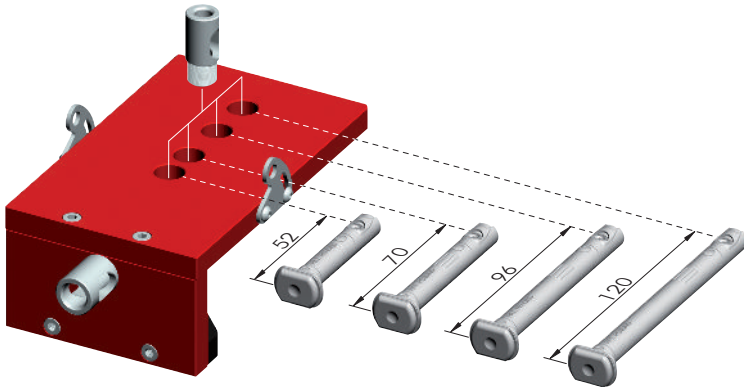
18 - 30 mm

GENERAL SPECIFICATIONS

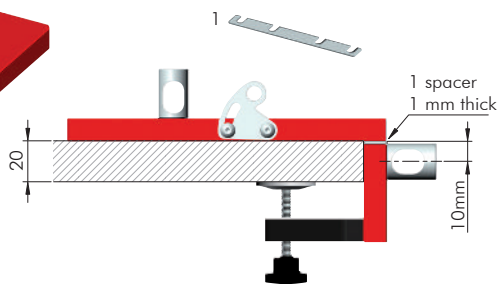
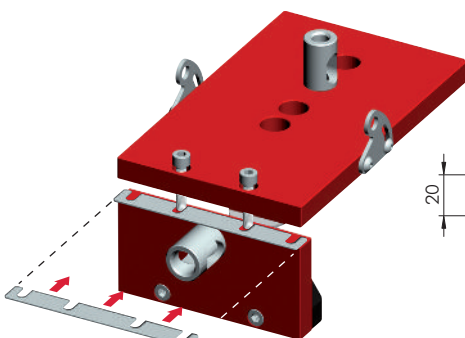


setting options
52, 70, 96, 120 mm

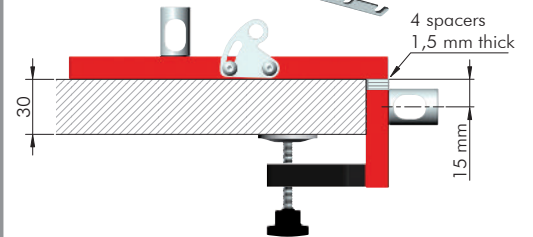
APPLICATION OPTIONS



DRILLING SPACERS FOR OTHER PANEL THICKNESSES

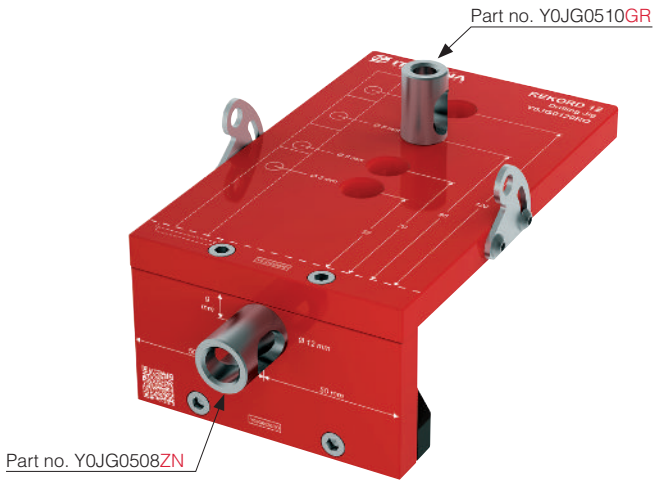


Use more/alternative spacers for higher thicknesses.





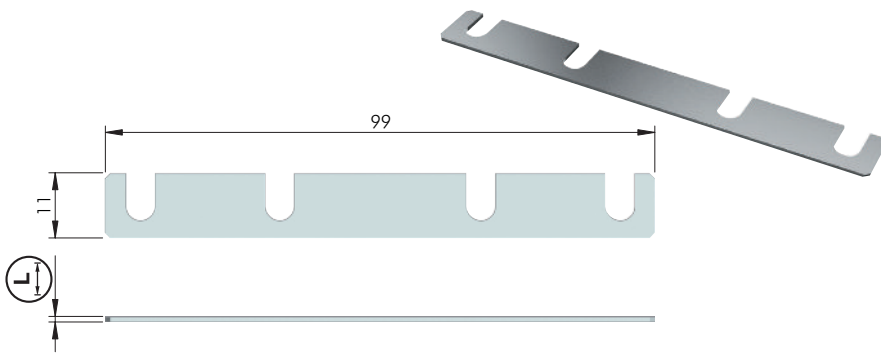
REKORD 12 DRILLING JIG FOR PANEL THICKNESS 18 mm



AL	ST	EP	= on request
Y0JG0120RO			

NOTE: The product code includes all the components shown in the picture.

REKORD 12 DRILLING JIG ACCESSORIES



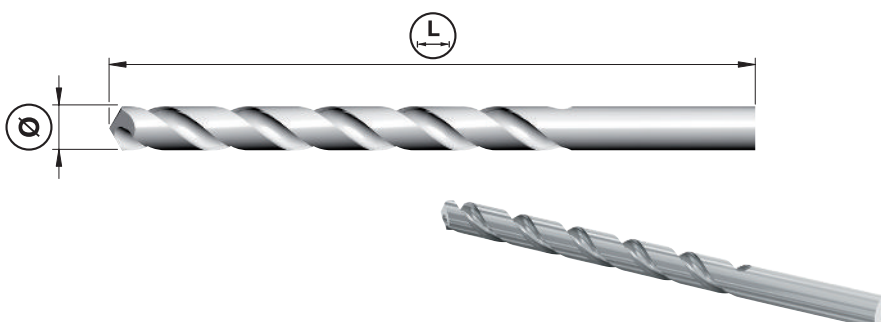
AL	= on request
Y0JG0511GR	1
Y0JG0512GR	1,5

DRILLING JIG DEPTH STOP COLLARS



ST	= on request
Y0JG051700	Ø8
Y0JG051900	Ø12

DRILL BIT



HSS	= on request	
Y0JG052800	Ø8	117
Y0JG053000	Ø12	150

NOTE: For drilling jig we recommend this type of drill bit.