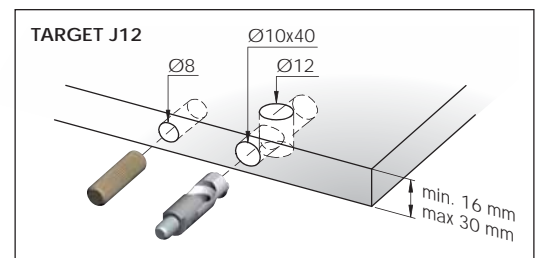
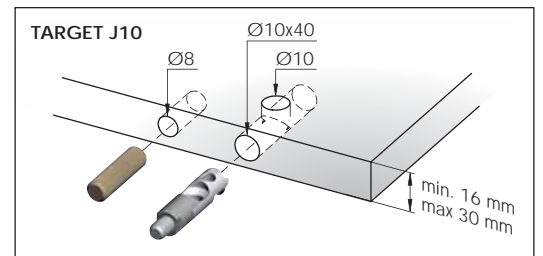
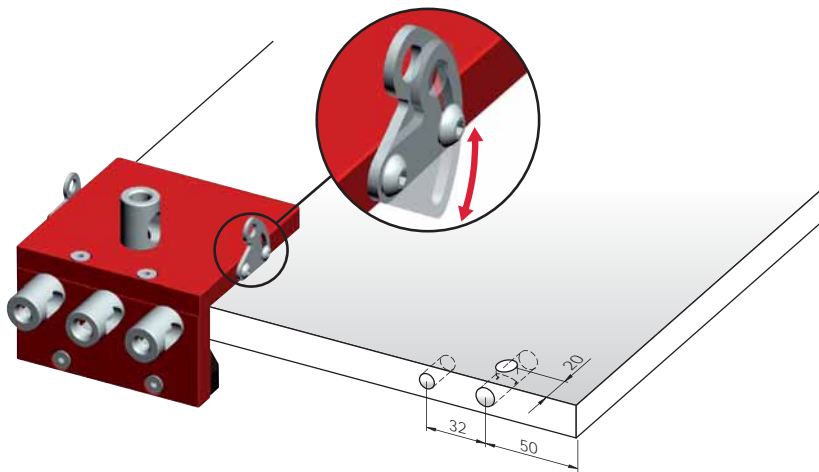


DRILLING JIG TARGET J10-J12

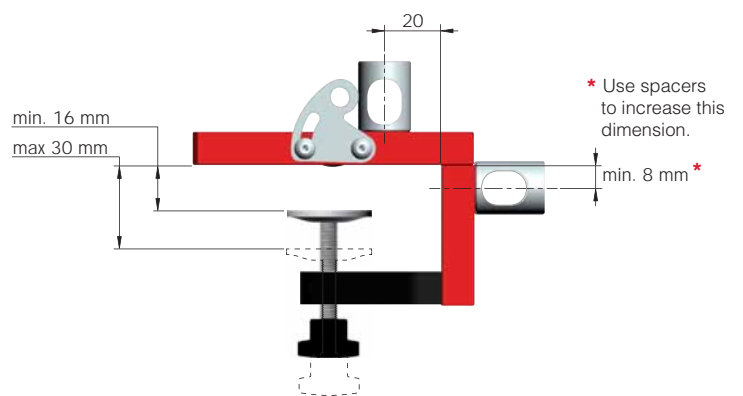
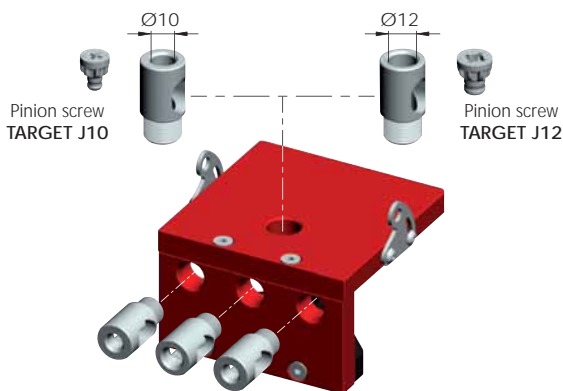


16 - 30 mm 

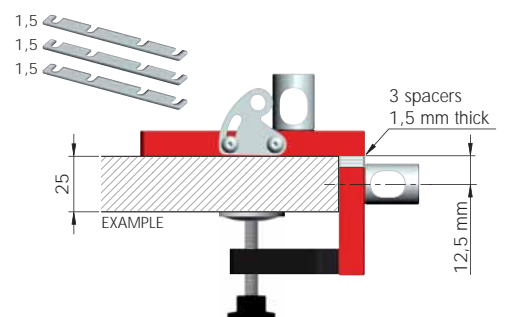
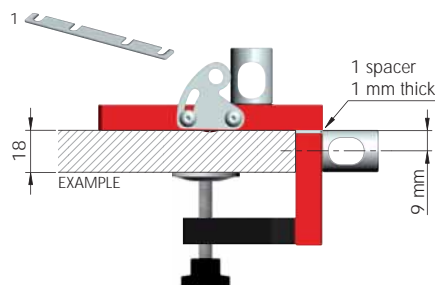
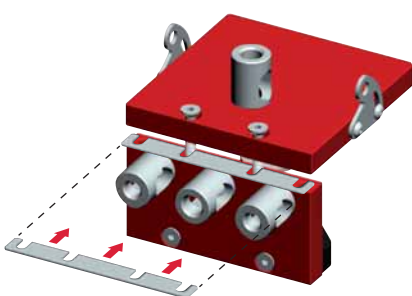
GENERAL SPECIFICATIONS



APPLICATION OPTIONS



DRILLING SPACERS FOR OTHER PANEL THICKNESSES





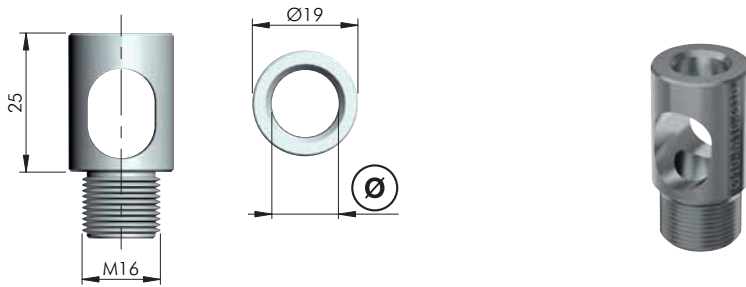
TARGET J10-J12 DRILLING JIG FOR PANEL THICKNESS 16 AND 18 mm



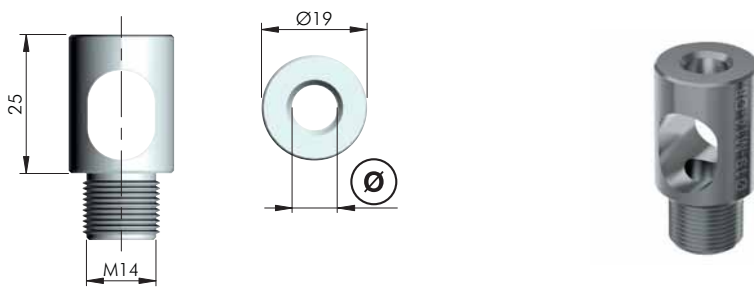
AL	ST	EP	= on request
Y0JG0100RO			

NOTE: The product code includes all the components shown in the picture.

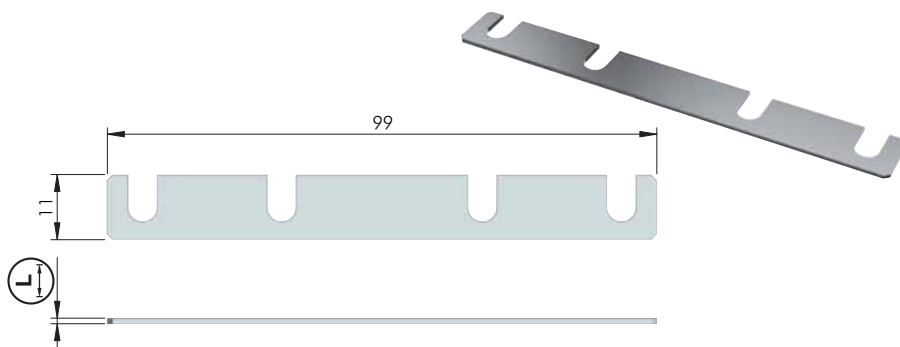
TARGET J10-J12 DRILLING JIG ACCESSORIES



= M16		
ST	= on request	
Y0JG0507ZN		Ø10
Y0JG0508ZN		Ø12



= M14		
ST	= on request	
Y0JG0505ZN		Ø8
Y0JG0506ZN		Ø10



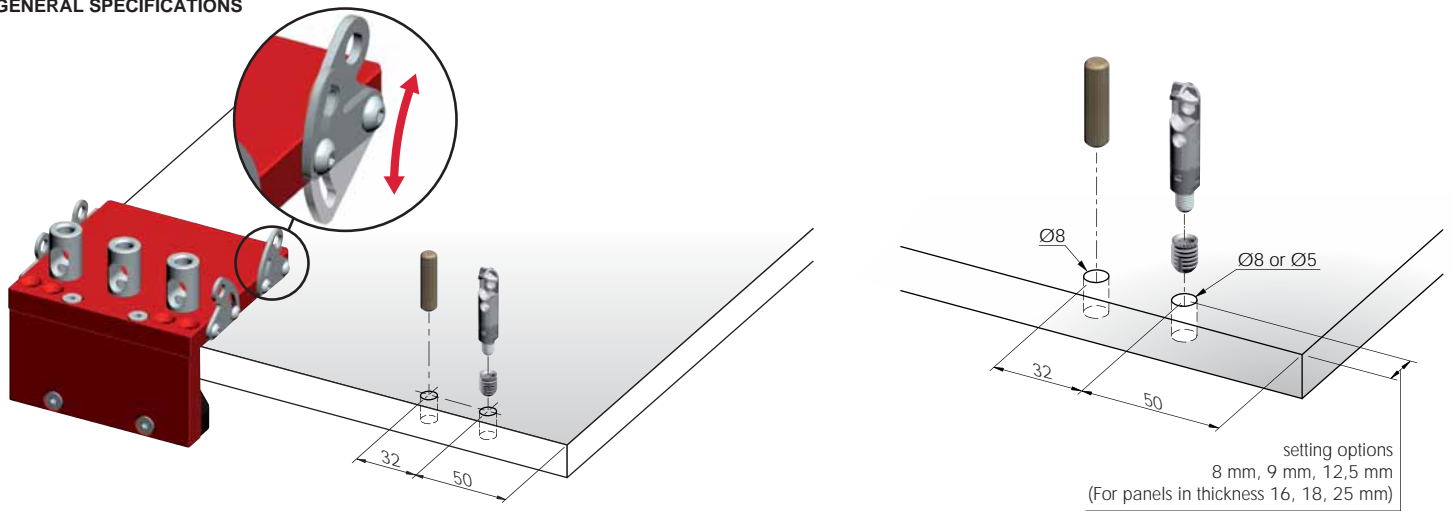
AL	= on request	
Y0JG0511ZN		1
Y0JG0512ZN		1,5

DRILLING JIG FOR SIDE PANELS

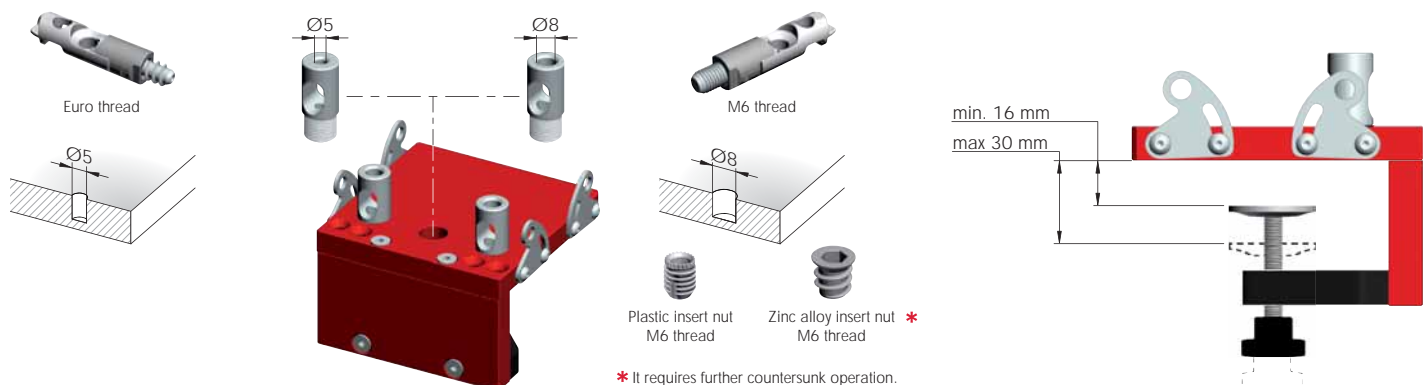
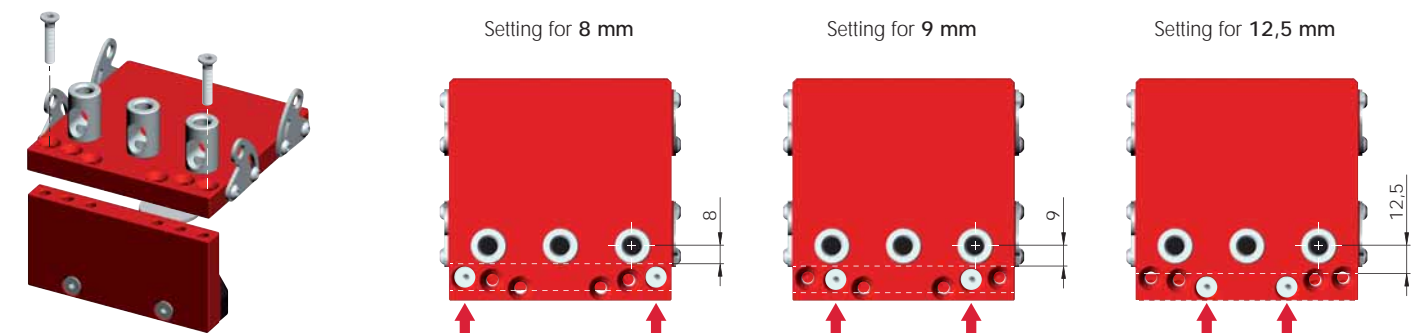


16 - 30 mm

GENERAL SPECIFICATIONS

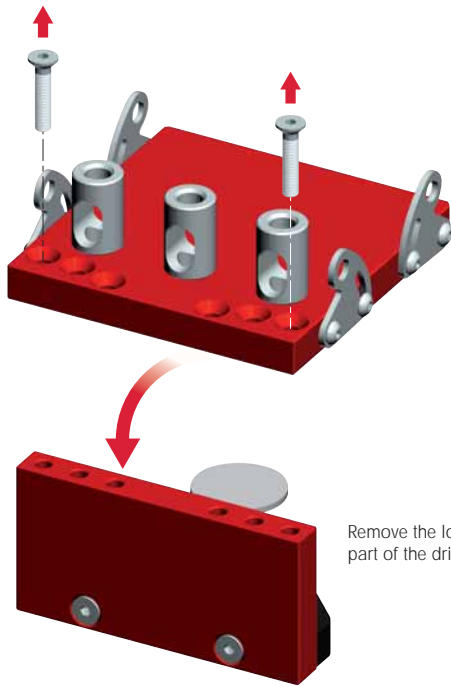


APPLICATION OPTIONS

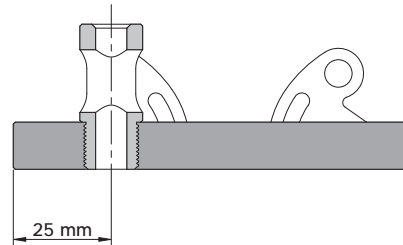
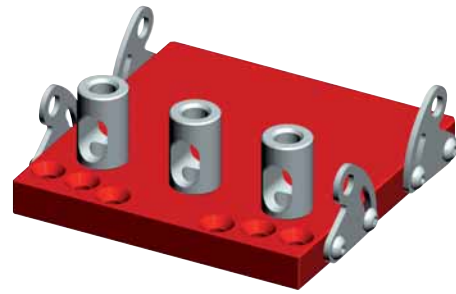




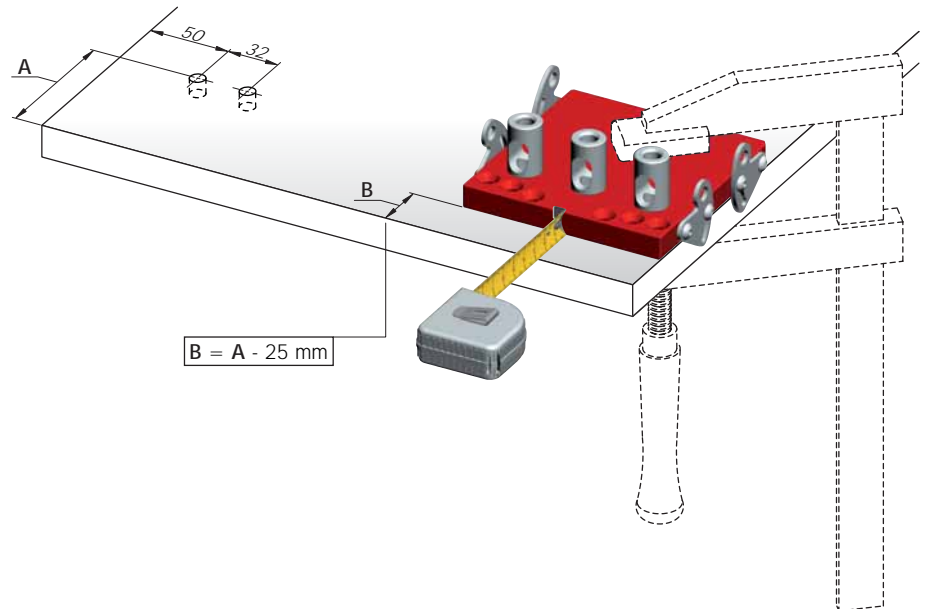
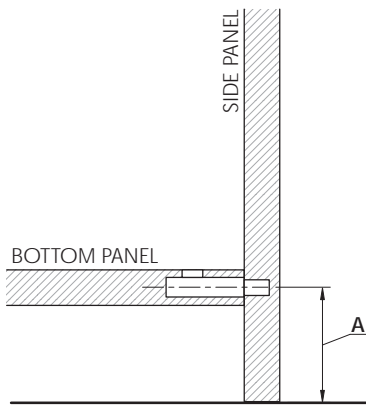
SETTING FOR DIFFERENT BOTTOM PANEL POSITION



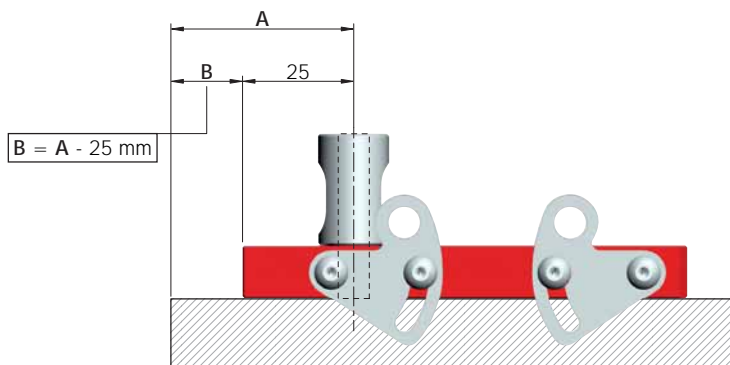
Remove the lower part of the drilling jig.



DRILLING JIG POSITIONING



$B = A - 25 \text{ mm}$






$B = A - 25 \text{ mm}$



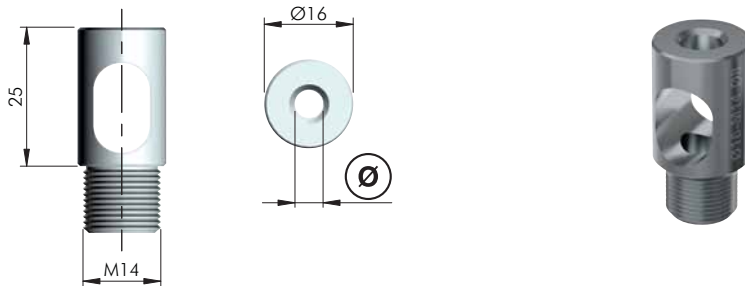
DRILLING JIG FOR SIDE PANELS








AL	ST	EP	 = on request
			
Y0JG0101RO			

NOTE: The product code includes all the components shown in the picture.





DRILLING JIG FOR SIDE PANELS ACCESSORIES



 = M14		
ST	 = on request	
		
Y0JG0509ZN		Ø5
Y0JG0510ZN		Ø8

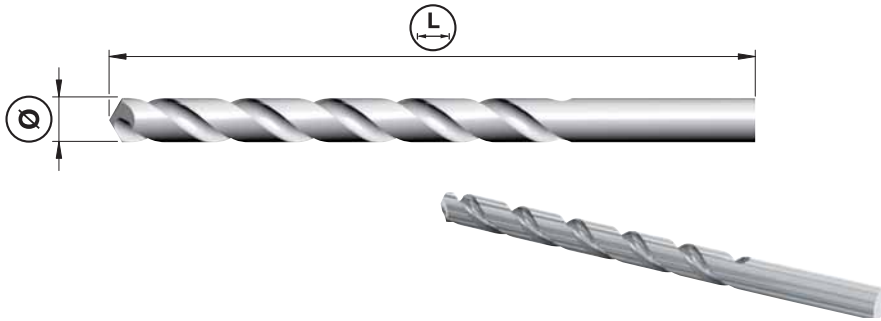
DRILLING JIG DEPTH STOP COLLARS



ST	 = on request	
		
Y0JG051600		Ø5
Y0JG051700		Ø8
Y0JG051800		Ø10
Y0JG051900		Ø12



DRILL BIT



HSS		= on request	
Y0JG052700		Ø5	86
Y0JG052800		Ø8	117
Y0JG052900		Ø10	133
Y0JG053000		Ø12	150

NOTE: For drilling jig we recommend this type of drill bit.