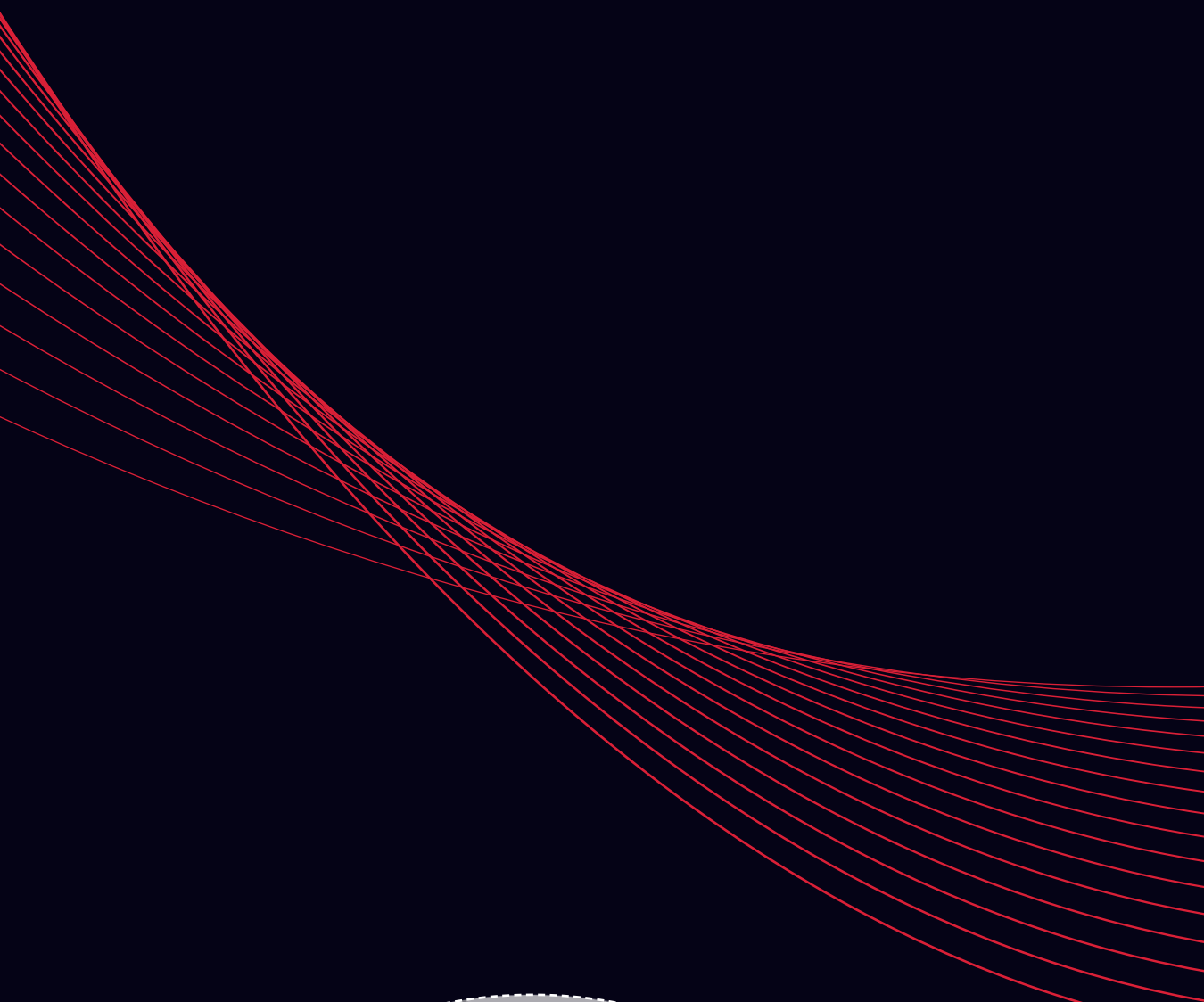


FLIPPER-BI



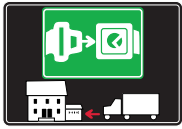
SHELF
SUPPORTS





SYMBOLS AND FINISHES LEGEND

SYMBOLS



= SHELF SAFELY LOCKED DURING TRANSPORTATION AND AT HOME.



= ANTI-TURNOVER LOCKING SYSTEM



= NORMS / PATENTS



= PHILLIPS / POZIDRIV



= NEWTON



= PART.NO



= HEXAGONAL SOCKET



= FRICTION



= PCS. PER PACKAGE



= BLADE SLOT



= AUTOMATIC



= COMBI SLOT



= DROP DOWN



= CAPACITY LOADING



= COUNTERSUNK HEAD



= WOOD / GLASS THICKNESS



= PAN HEAD



= STANDARD HINGE



= HOLE DIAMETER



= FLANGE HEAD



= KIMANA HINGE



= DIAMETER



= FLAT HEAD



= FLAP HINGE



= LENGTH



= TRILOBULAR SCREW



= WITH SPRING



= HEIGHT



= SELF-TAPPING SCREW



= WITHOUT SPRING



= RIGHT VERSION



= EURO THREAD



= REVERSED SPRING



= LEFT VERSION



= METRIC THREAD



= SETTING CODE



= PRE-INSERTED SCREW



= FOR ROUND TUBE



= PCS. PER PAD



= PRE-INSERTED SCREW AND SPREADING BUSH



= FOR OVAL TUBE



= CUT ON REQUEST



= WITH BUFFER



= SELF ADHESIVE



= WITH MAGNET



= WITH FLANGE

NOTE: Printing errors and omissions may exist despite our best efforts to ensure accuracy. We reserve the right to alter specifications without notice.

MATERIALS

ZA = Zinc Alloy	ST = Steel	HSS = High Speed Steel	BR = Brass	ABS = Acrylonitrile Butadiene Styrene
ZAnk = Nickel-plated Zinc Alloy	STzk = Zinc-plated Steel	AL = Aluminium	WD = Wood	EVA = Ethylene Vinyl Acetate

EP = **ENGINEERING PLASTIC**

+ **EP** = other engineering plastic available on request

SR = **SOFT RUBBER**

+ **SR** = other soft rubber available on request

EPn = Natural Engineering Plastic

EPc = Clear Engineering Plastic

SRn = Natural Soft Rubber

EPw = White Engineering Plastic

EPg = Grey Engineering Plastic

SRw = White Soft Rubber

EPwg = Water Green Engineering Plastic

SRb = Black Soft Rubber



FINISHES



+ **OTHER FINISHES AVAILABLE ON REQUEST**

AA	Natural	JB	Bright Aluminium	QB	Walnut
AB	White	JC	Aluminium - Chrome	RO	Red
AC	Opal White	JD	Matt Aluminium	UZ	T -Met
AE	White 9010	JE	Satin-finished Aluminium	WA	Bronzed
AK	Champagne	JF	Aluminium - Brass	WI	Burnished
AL	Ivory	JG	Aluminium 5	XD	Satin-finished Steel
EA	Black	JL	Aluminium PE 11	YA	Nickel-plated
EB	Glossy Black	JM	Aluminium RAL 9006	YB	Bright Nickel-plated
EC	Matt Black	KA	Chrome	YC	Matt Nickel-plated
EE	Anthracite	KB	Bright Chrome	YD	Satin-finished Nickel-plated
FU	Gunmetal	KC	Matt Chrome	ZA	Zinc alloy
GR	Raw	MA	Brown	ZN	Zinc-plated
HA	Brass-Plated	MB	Light Brown 1	ZQ	Bright Gold
HH	Tropicalized	NN	Metallic Beige	ZY	Titanium
HL	Raw Brass	NO	Beige	ZZ	Clear
IA	Grey	OA	Oak	00	Insignificant finish
IB	Metallic Grey	OZ	Ash		
IF	Middle Grey	PA	Light Ash		
IJ	Light Grey	PZ	Beech		
IL	Grey 20	QA	Maple		



FLIPPER-BI

FLIPPER-BI is the new shelf support suitable for both wood and metal shelves. The shelf has to be pushed downwards onto the side dowels, which can be placed or screwed into any position required. The side dowels slot into the socket of the shelf supports and a click locks the shelf in position. To provide a structural fastening to the furniture screwed side dowels are required, so that the shelf flushes with the sides, due to the angled shape of the shelf support sockets. New stylish and highly captivating squared shape.

Available for:

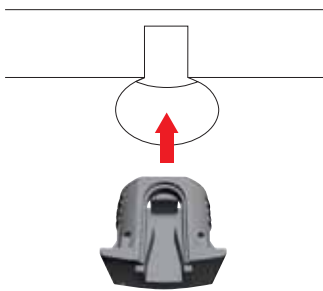
- min. 18mm thick wood shelves
- min. 15,5mm thick metal shelves



18 mm min.

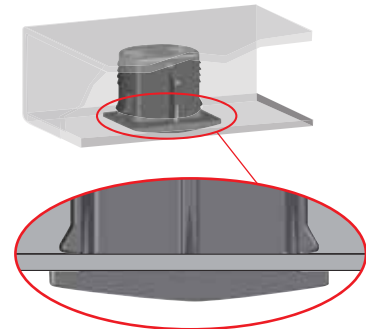
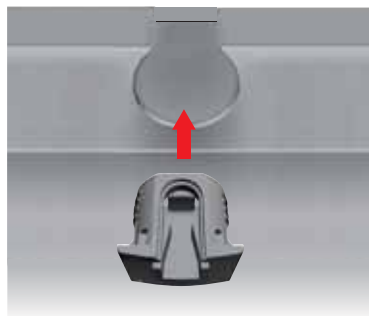
INSTALLATION

WOOD SHELF

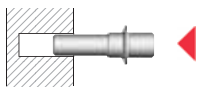


INSTALLATION

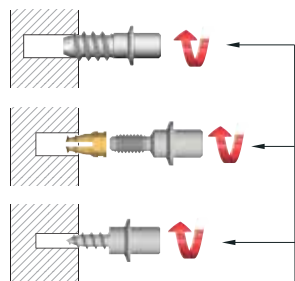
METAL SHELF



Assembling with smooth pin

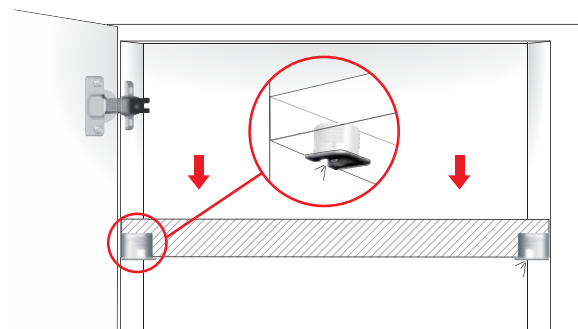
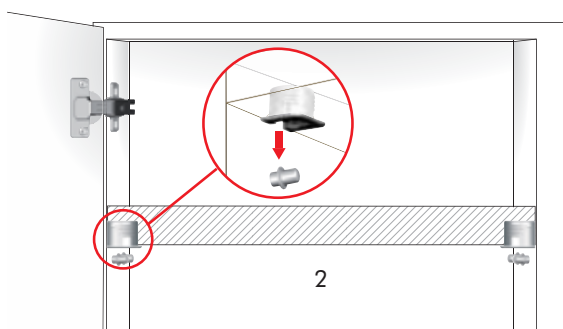
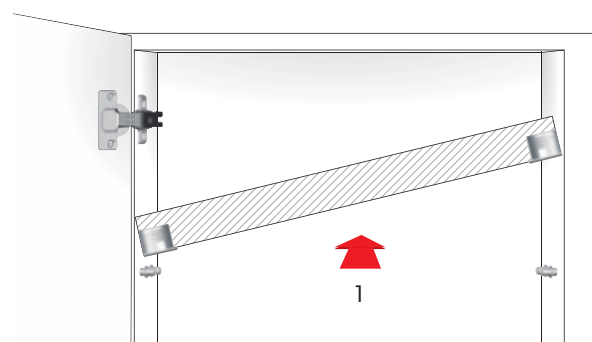


Assembling with threaded pin to achieve horizontal connection



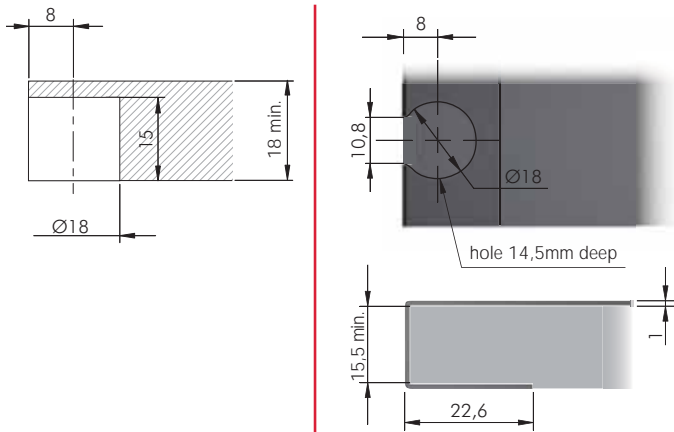
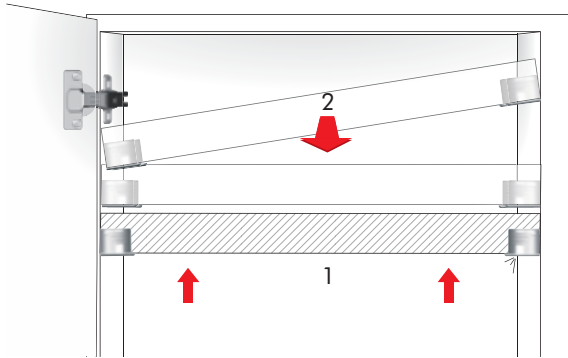
cross PZ2 screwdriver

SHELF INSTALLATION





SHELF REMOVAL FOR NEW REPOSITIONING



= 18 mm min.

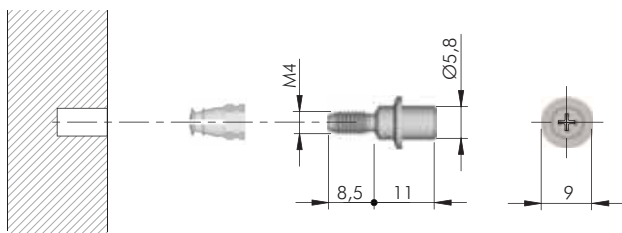
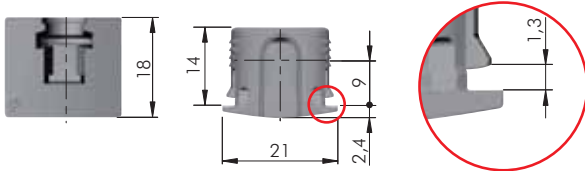
EP

= 5000 pcs.



10601040IL

10601040ZZ



= M4

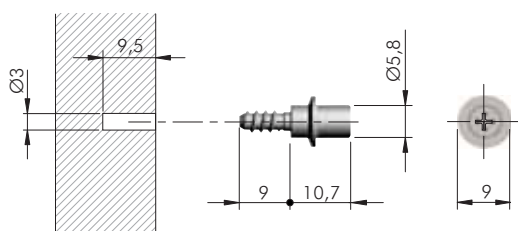
= PZ2

ST

= 5000 pcs.



10602010ZN



= Ø 3 mm

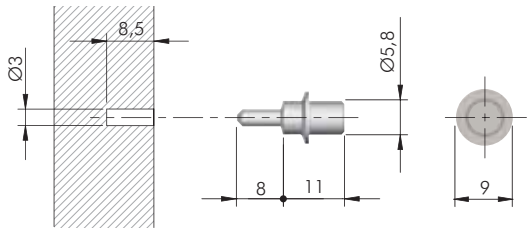
= PZ2

ST

= 6000 pcs.



10603030ZN



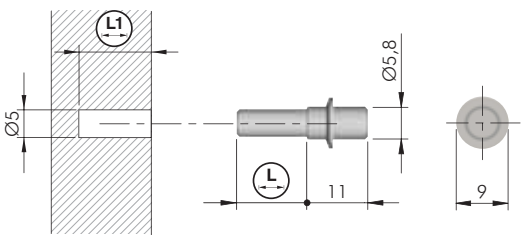
= Ø 3 mm

ST

= 5000 pcs.



10605030Z^N



= Ø 5 mm

ST



10605020Z^N



12,5



13



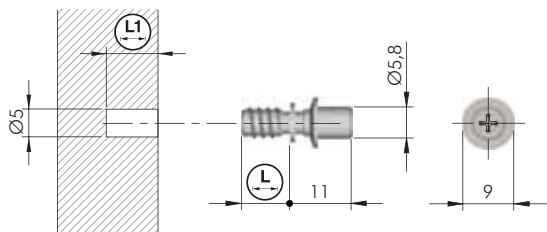
3500

10605010Z^N

8,5

9

3000



= Ø 5 mm

= PZ2

ST

= 2500 pcs.



10604020Z^N



7,5

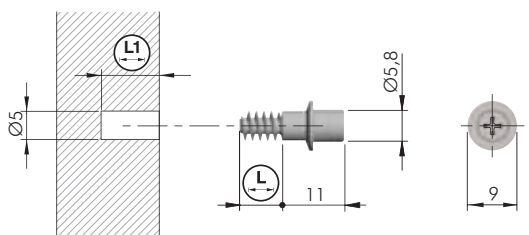


8

10604010Z^N

8,8

9,3



= Ø 5 mm

= PZ2

ST

= 2500 pcs.



10606020Z^N



7,7



8,2

10606010Z^N

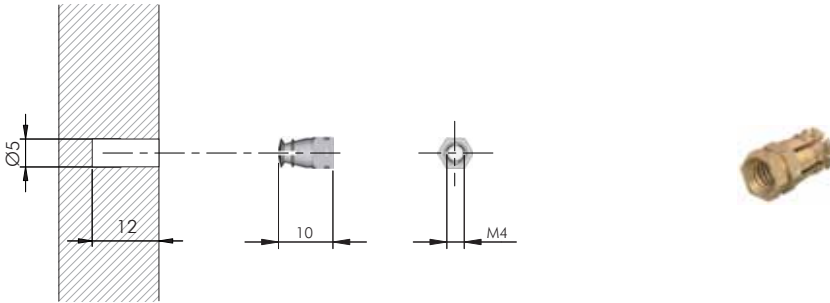
9,7

10,2

Note: Special threaded pin to avoid hole damaging for shelf repositioning.



FLIPPER-BI FIXING ACCESSORY



= Ø 5 mm

= M4

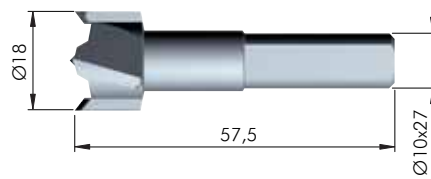
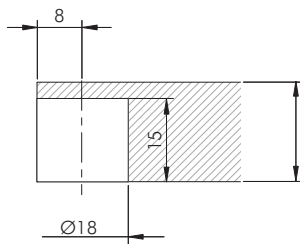
BR

= 20.000 pcs.



20502021HL

DRILL BIT FOR FLIPPER-BI

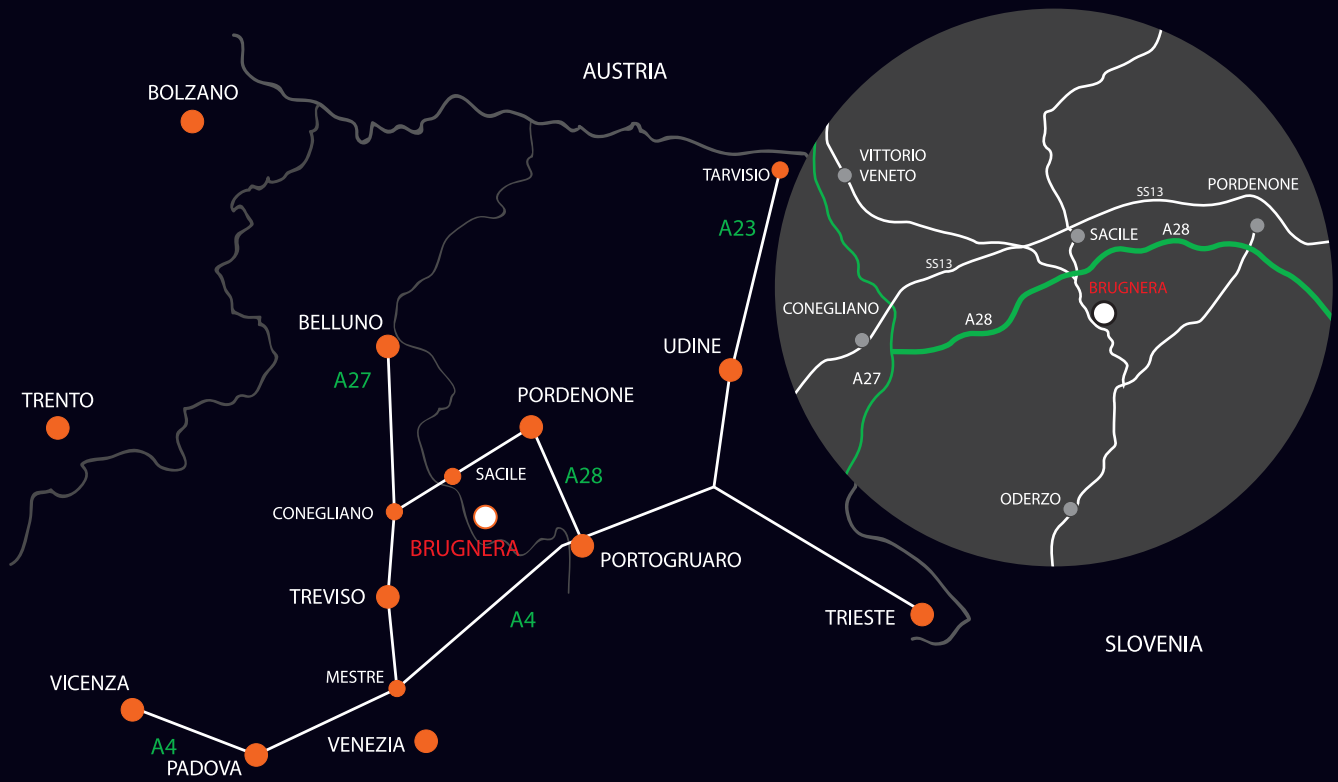


HSS

= on request



1145201000



www.italianaferramenta.com