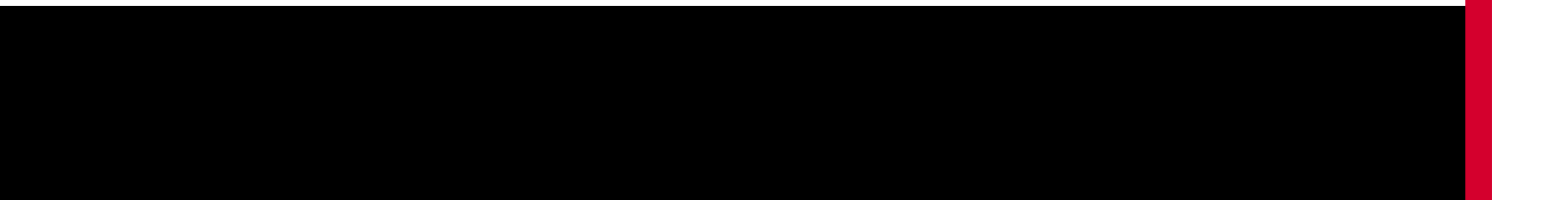


TRIS ROUND LEDGE

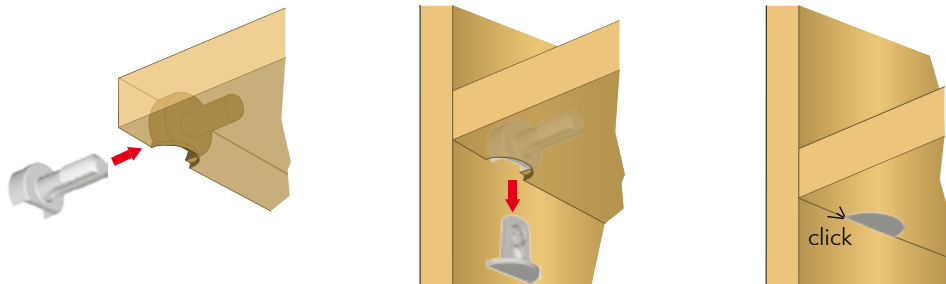
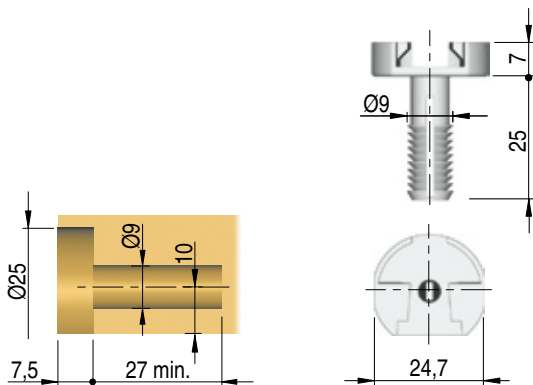




TRIS is the shelf support slotted into the shelf by making edge borings. If required the side bracket ledge can flush with the underside of the shelf by making face borings. The sleeve of the shelf support can be expanded by inserting a pin (pin=optional extra), which improves the structural fastening of the shelf to the sides of the furniture. The shelf has to be pushed downwards onto the side brackets, which can be screwed into any position required. The side brackets slot into the socket of the shelf supports and a click locks the shelf in position.

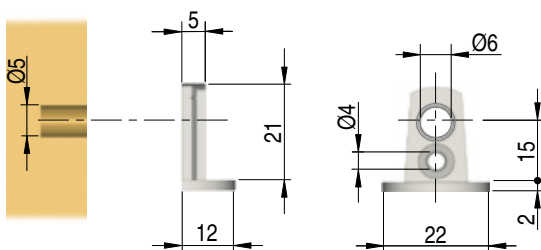
The TRIS ROUND LEDGE brackets are available in 3 different versions: with spreading bush and screw pre-inserted only for 30mm shelf thickness version, and with hole for screw fixing, with pin Ø 5 only for 25mm shelf thickness version.

TRIS ROUND LEDGE is available for 25(29), 30(34)mm shelf thickness.


INSTALLATION

SUPPORT FOR TRIS - MINIMUM 35mm THICK WOOD SHELVES


Engineering plastic

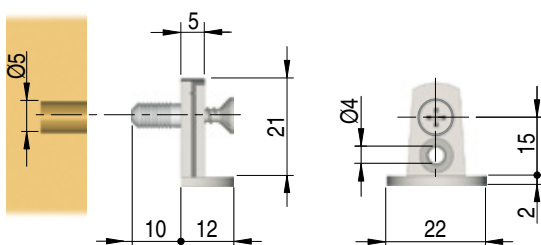
Part. no	Finish
10901020AB	White

BRACKET FOR TRIS


Zinc alloy

Part. no	Finish
10907110YA	Nickel-plated

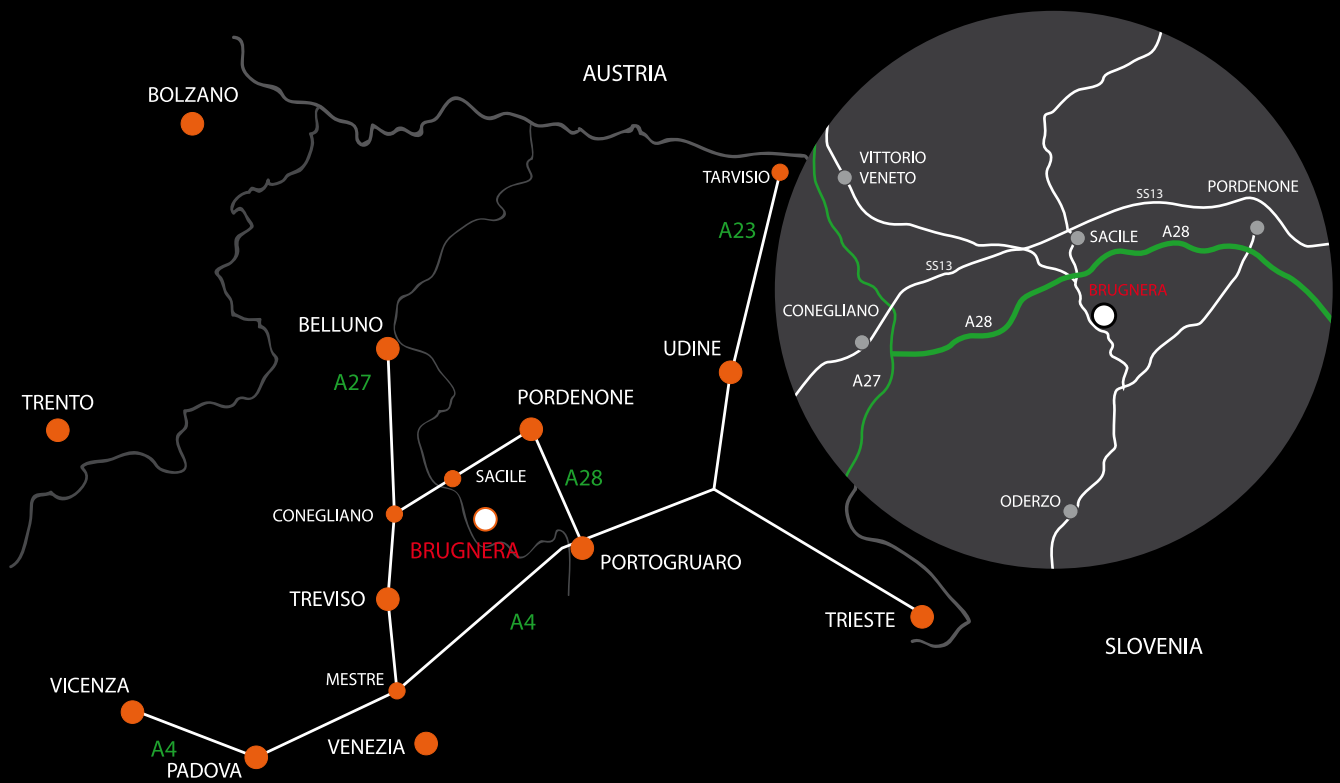
Other finishes available on request

BRACKET FOR TRIS


Zinc alloy

Part. no	Finish
10907120YA	Nickel-plated

Other finishes available on request



ITALIANA FERRAMENTA

Via Taglio n° 87 I - 33070 Maron di Brugnera (PN) Tel. +39 0434 428211 Fax +39 0434 428242 www.italianaferramenta.com info@italianaferramenta.it