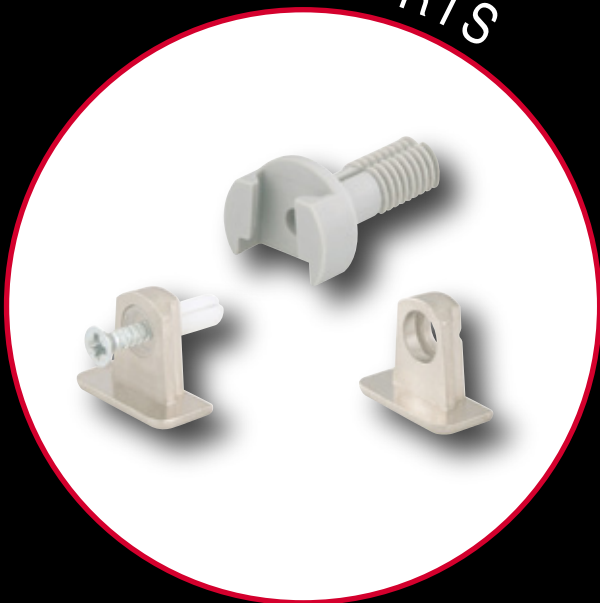
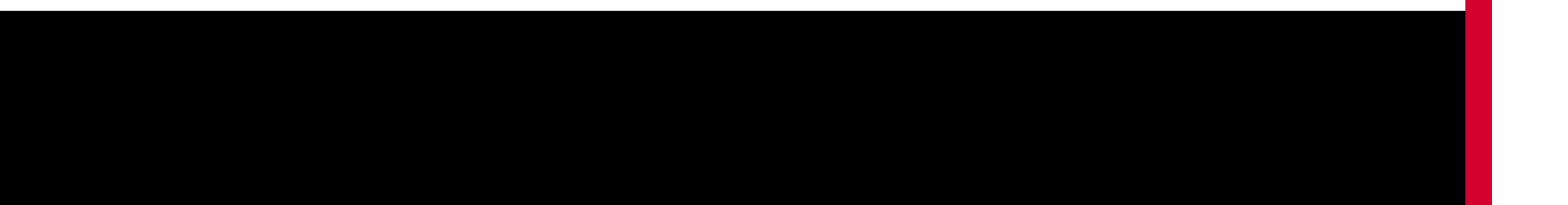


TRIS

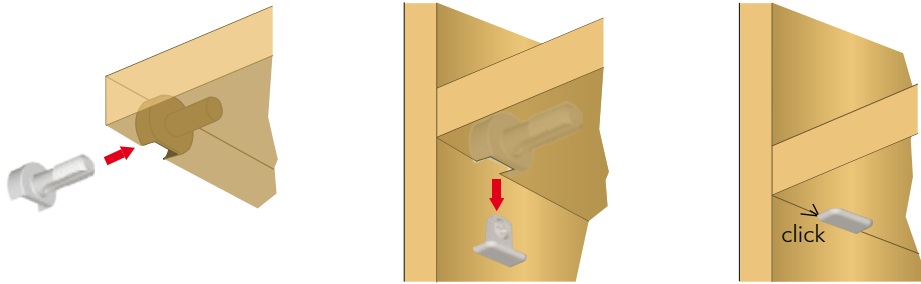




TRIS is the shelf support slotted into the shelf by making edge borings. The sleeve of the shelf support can be expanded by inserting a pin (pin=optional extra), which improves the structural fastening of the shelf to the sides of the furniture. The shelf has to be pushed downwards onto the side brackets, which can be screwed into any position required. The side brackets slot into the socket of the shelf supports and a click locks the shelf in position. The **TRIS** brackets are available in 3 different versions: with spreading bush and screw pre-inserted, and with hole for screw fixing, with pin Ø 5 only for 25mm shelf thickness version. **TRIS** is available for 19, 25, 28 and 30mm shelf thickness.

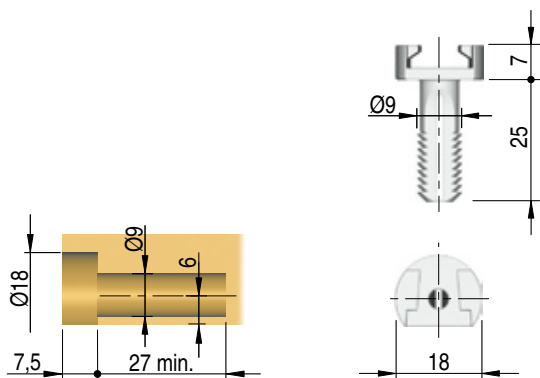


INSTALLATION



TRIS 19mm

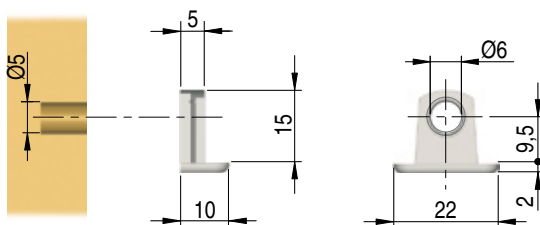
SUPPORT FOR TRIS - MINIMUM 19mm THICK WOOD SHELVES



Engineering plastic

Part. no	Finish
10901010AB	White

BRACKET FOR TRIS

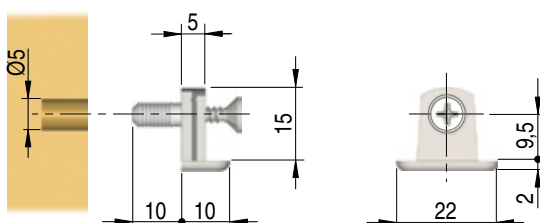


Zinc alloy

Part. no	Finish
10902010YA	Nickel-plated

Other finishes available on request

BRACKET FOR TRIS



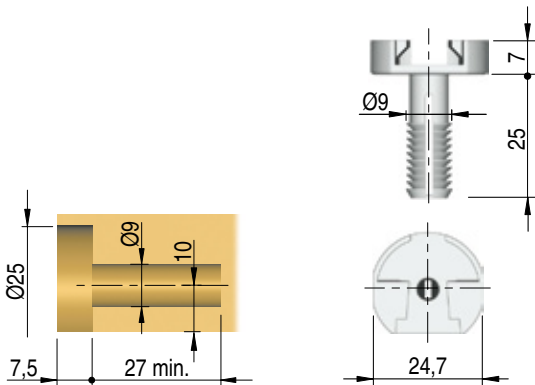
Zinc alloy
Engineering plastic
Steel

Part. no	Finish
10902020YA	Nickel-plated

Other finishes available on request

TRIS 25mm

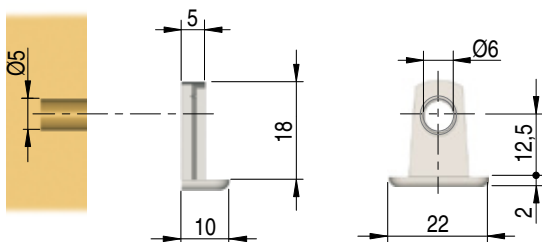
SUPPORT FOR TRIS - MINIMUM 25mm THICK WOOD SHELVES



Engineering plastic

Part. no	Finish
10901020AB	White

BRACKET FOR TRIS

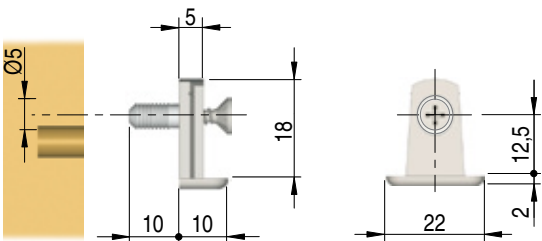


Zinc alloy

Part. no	Finish
10903010YA	Nickel-plated

Other finishes available on request

BRACKET FOR TRIS



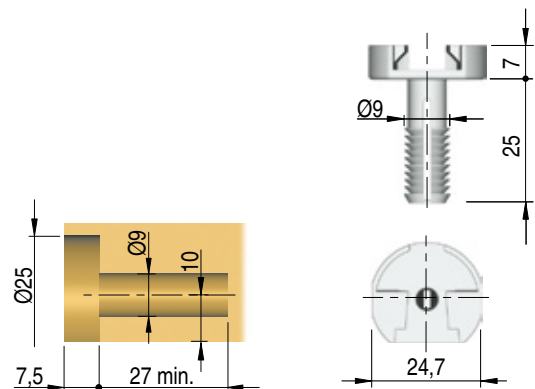
Zinc alloy
Engineering plastic
Steel

Part. no	Finish
10903020YA	Nickel-plated

Other finishes available on request

TRIS 28mm

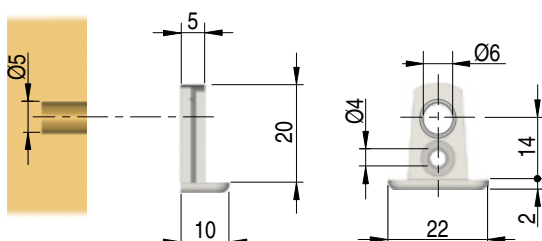
SUPPORT FOR TRIS - MINIMUM 28mm THICK WOOD SHELVES



Engineering plastic

Part. no	Finish
10901020AB	White

BRACKET FOR TRIS

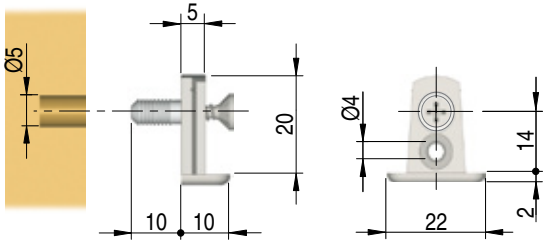


Zinc alloy

Part. no	Finish
10904010YA	Nickel-plated

Other finishes available on request

BRACKET FOR TRIS



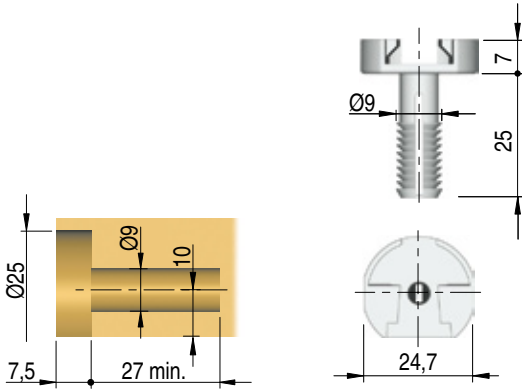
Zinc alloy
Engineering plastic
Steel

Part. no	Finish
10904020YA	Nickel-plated

Other finishes available on request

TRIS 30mm

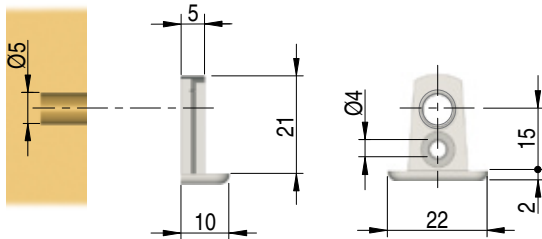
SUPPORT FOR TRIS - MINIMUM 30mm THICK WOOD SHELVES



Engineering plastic

Part. no	Finish
10901020AB	White

BRACKET FOR TRIS

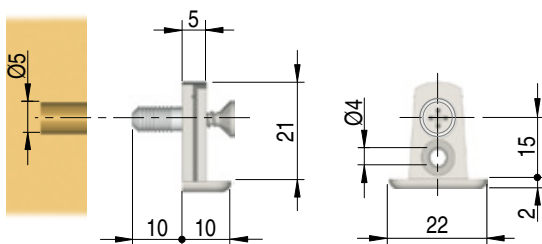


Zinc alloy

Part. no	Finish
10905010YA	Nickel-plated

Other finishes available on request

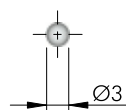
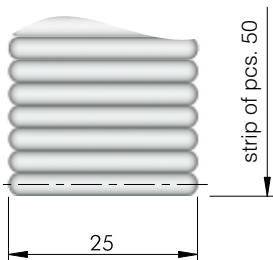
BRACKET FOR TRIS



Zinc alloy
Engineering plastic
Steel

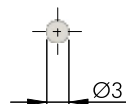
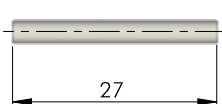
Part. no	Finish
10905020YA	Nickel-plated

Other finishes available on request



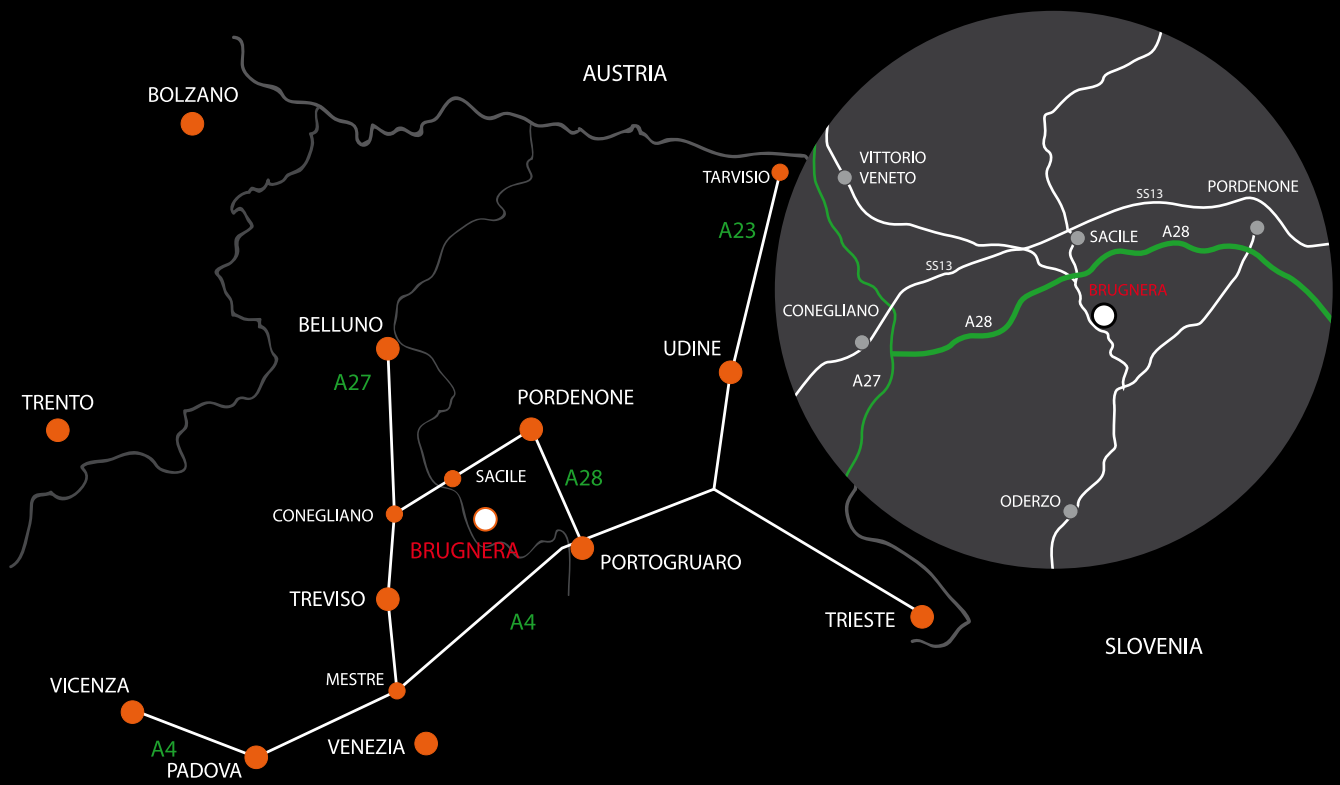
Engineering plastic

Part. no	Finish
10950010AB	White
10950010EA	Black



Steel

Part. no	Finish
10950010ZN	Zinc-plated



ITALIANA FERRAMENTA

Via Taglio n° 87 I - 33070 Maron di Brugnera (PN) Tel. +39 0434 428211 Fax +39 0434 428242 www.italianaferramenta.com info@italianaferramenta.it