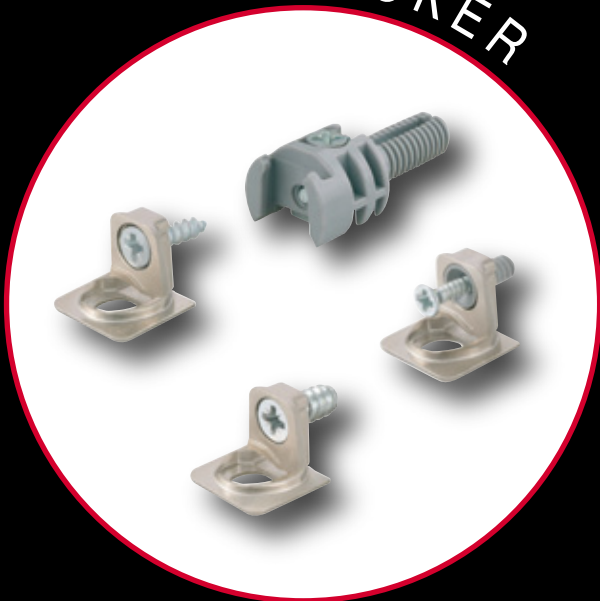


POKER





**POKER** is the new concept in wood shelf supports, to be slotted into the panel by making edge borings.

It allows to join together any side and shelf, including bottom and top, without using any further connecting fitting. The sleeve expands by inserting the provided pin, which improves the structural fastening of the panel to the sides of the furniture. The panel has to be pushed downwards onto the side brackets, which can be screwed into any position required.

The side bracket slots into the socket of the shelf supports and a click locks the panel in position.

By turning the mini fix placed inside the shelf support 90° anticlockwise from the bottom, the shelf and top panel collide with the sides, providing a structural fastening.

An optional through hole  $\varnothing$  8mm allows you to fix also the bottom panel from the top by turning the mini fix 90° anticlockwise.

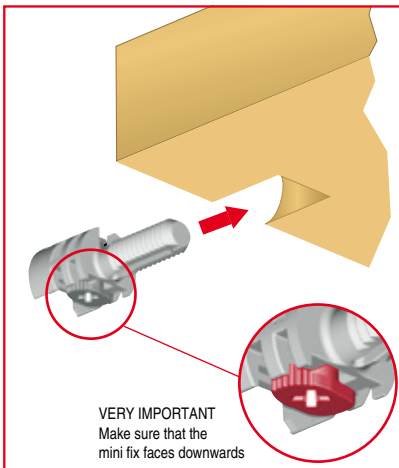
In accordance with the regulation: UNI EN 14749/05.



**DETAILS**

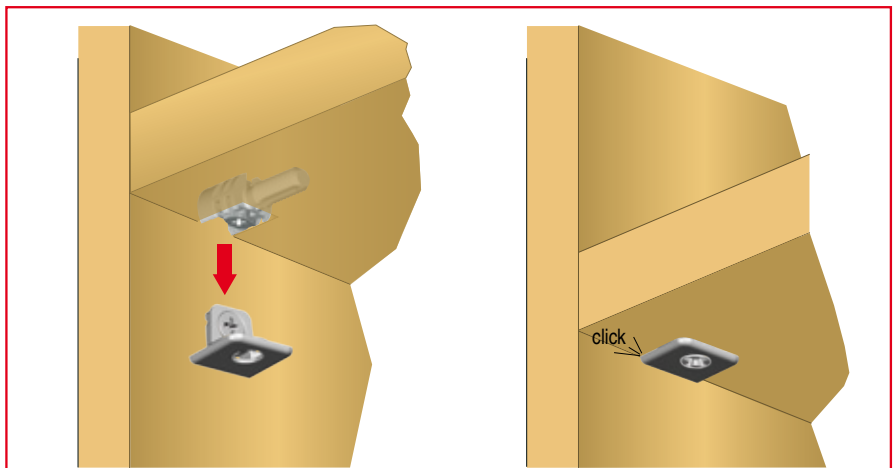
**1**

INSERT THE PK2 SUPPORT INTO THE SHELF



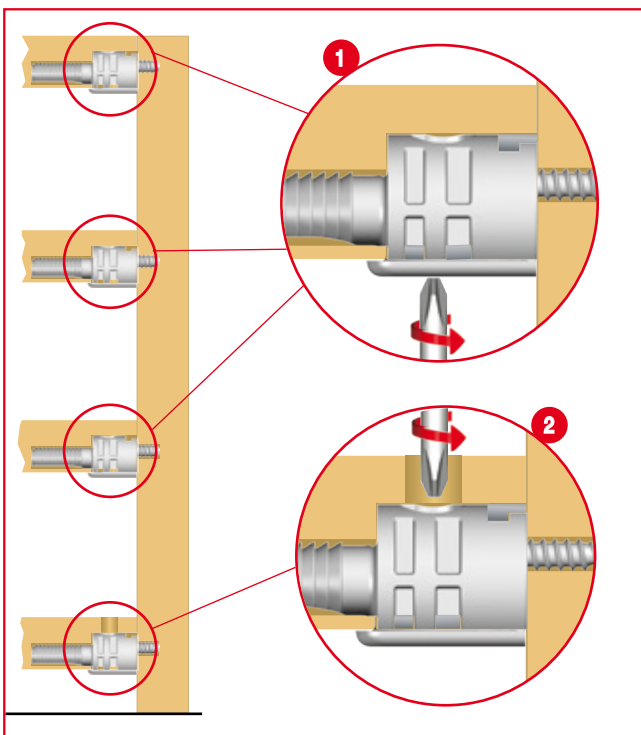
**2**

PRESS THE SHELF ONTO THE SIDE BRACKET

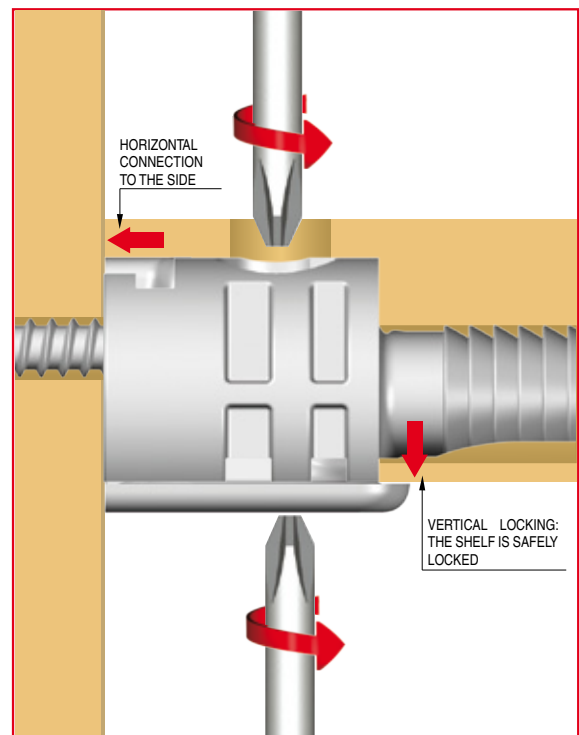


**3**

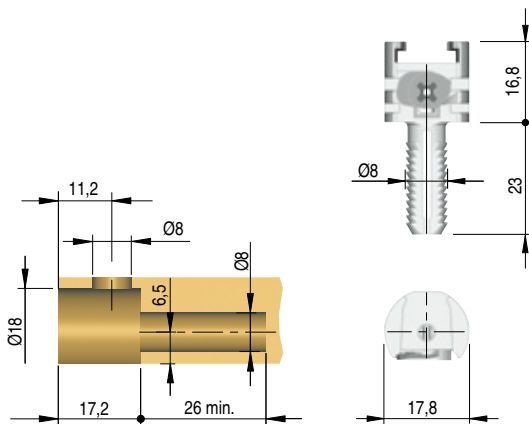
THE PANEL IS LOCKED AND HORIZONTALLY CONNECTED TO THE SIDE PANEL BY TURNING THE MINIFIX: 90° ANTICLOCKWISE FROM THE LOWER SIDE, FOR THE SHELVES AND FOR THE TOP (PICTURE 1) 90° ANTICLOCKWISE FROM THE UPPER SIDE, FOR THE FURNITURE FLOOR (PICTURE 2)



STRUCTURAL FASTENING DETAIL



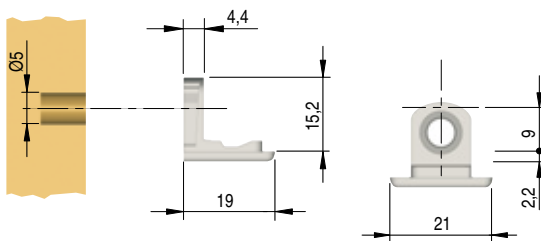
**SUPPORT FOR POKER - MINIMUM 18mm THICK WOOD SHELVES**



Edge boring cam pin fix for 18mm shelf.  
Zinc alloy  
Engineering plastic

Part. no	Specific	Finish
11301010IL	With cam pin	Grey 20

**BRACKET FOR POKER**

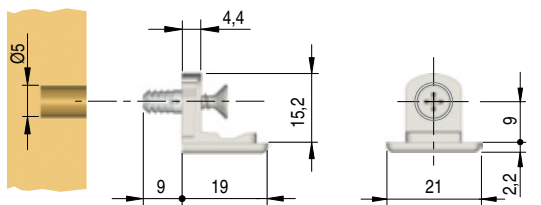


With Ø 6mm hole for euro screw.  
Zinc alloy

Part. no	Finish
11302010YA	Nickel-plated

Other finishes available on request

**BRACKET FOR POKER**

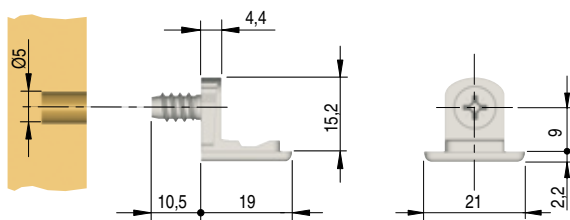


With spreading bush and screw pre-inserted.  
Zinc alloy  
Engineering plastic  
Steel

Part. no	Finish
11302020YA	Nickel-plated

Other finishes available on request

**BRACKET FOR POKER**

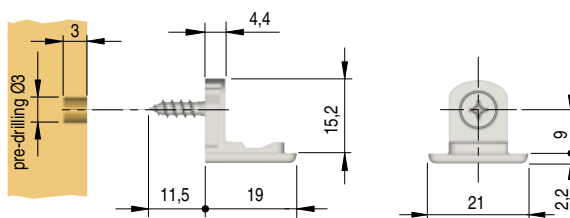


With Ø 6,2mm euro screw pre-inserted.  
Zinc alloy  
Steel

Part. no	Finish
11302030YA	Nickel-plated

Other finishes available on request

**BRACKET FOR POKER**

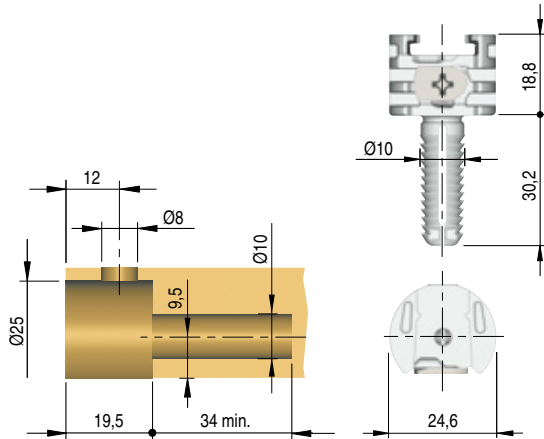


With Ø 4mm screw pre-inserted.  
Zinc alloy  
Steel

Part. no	Finish
11302050YA	Nickel-plated

Other finishes available on request

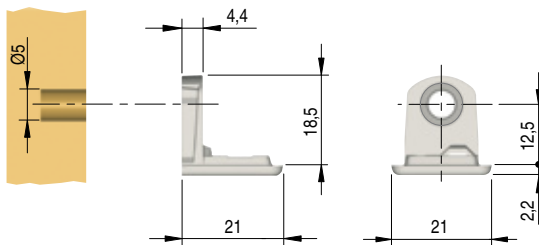
**SUPPORT FOR POKER - SUPPORT FOR POKER - FOR 25, 28, 30mm THICK WOOD SHELVES**



Edge boring cam pin fix for 25, 28, 30mm shelf.  
Zinc alloy  
Engineering plastic

Part. no	Specific	Finish
11301030IL	With cam pin	Grey 20

**BRACKET FOR POKER**

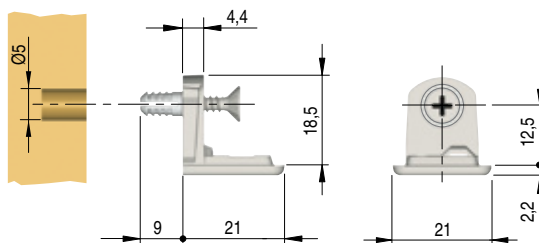


With Ø 6mm hole for euro screw.  
Zinc alloy

Part. no	Finish
11303010YA	Nickel-plated

Other finishes available on request

**BRACKET FOR POKER**

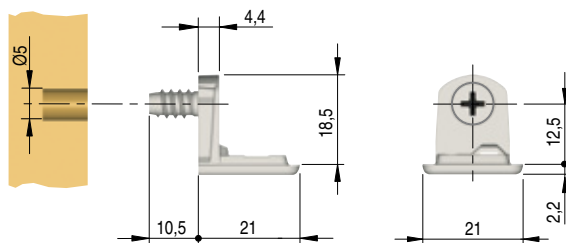


With spreading bush and screw pre-inserted.  
Zinc alloy  
Engineering plastic

Part. no	Finish
11303020YA	Nickel-plated

Other finishes available on request

**BRACKET FOR POKER**

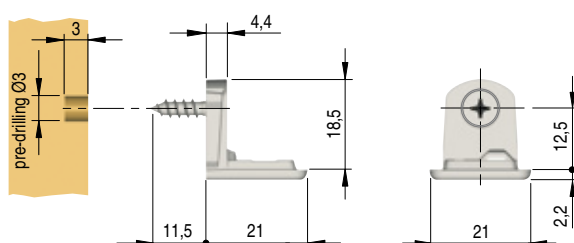


With Ø 6,2mm euro screw pre-inserted.  
Zinc alloy  
Steel

Part. no	Finish
11303030YA	Nickel-plated

Other finishes available on request

**BRACKET FOR POKER**

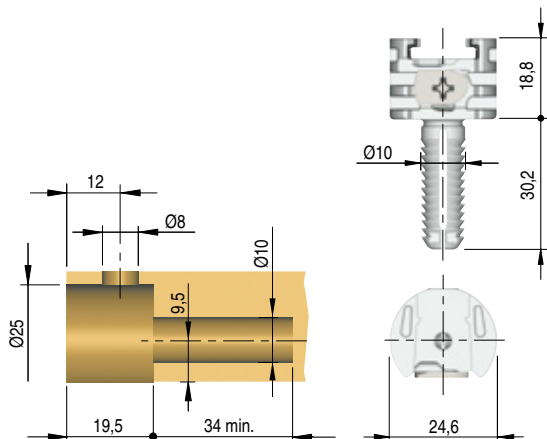


With Ø 4mm screw pre-inserted.  
Zinc alloy  
Steel

Part. no	Finish
11303050YA	Nickel-plated

Other finishes available on request

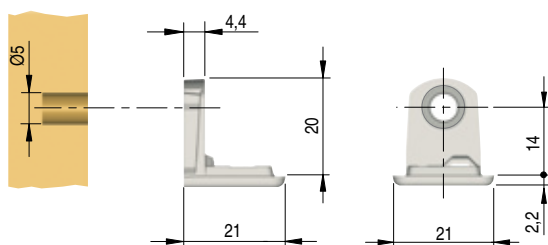
**SUPPORT FOR POKER - FOR 25, 28, 30mm THICK WOOD SHELVES**



Edge boring cam pin fix for 25, 28, 30mm shelf.  
Zinc alloy  
Engineering plastic

Part. no	Specific	Finish
11301030IL	With cam pin	Grey 20

**BRACKET FOR POKER**

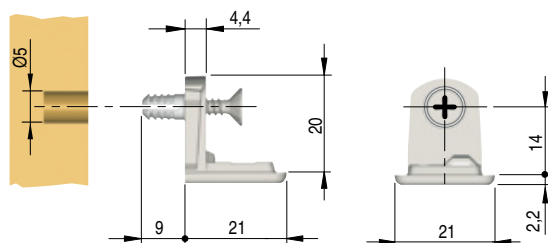


With Ø 6mm hole for euro screw.  
Zinc alloy

Part. no	Finish
11304010YA	Nickel-plated

Other finishes available on request

**BRACKET FOR POKER**

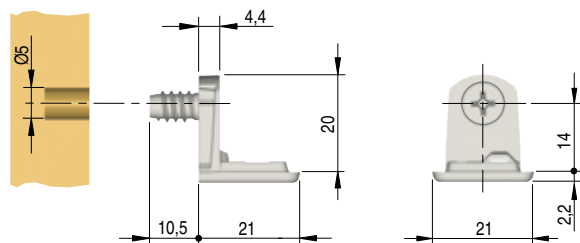


With spreading bush and screw pre-inserted.  
Zinc alloy  
Engineering plastic

Part. no	Finish
11304020YA	Nickel-plated

Other finishes available on request

**BRACKET FOR POKER**

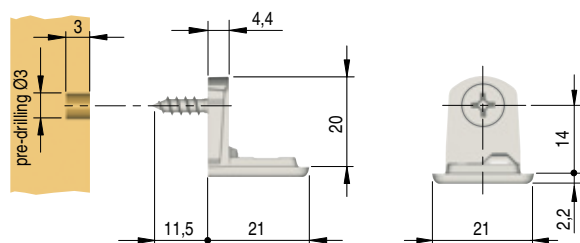


With Ø 6,2mm euro screw pre-inserted.  
Zinc alloy  
Steel

Part. no	Finish
11304030YA	Nickel-plated

Other finishes available on request

**BRACKET FOR POKER**

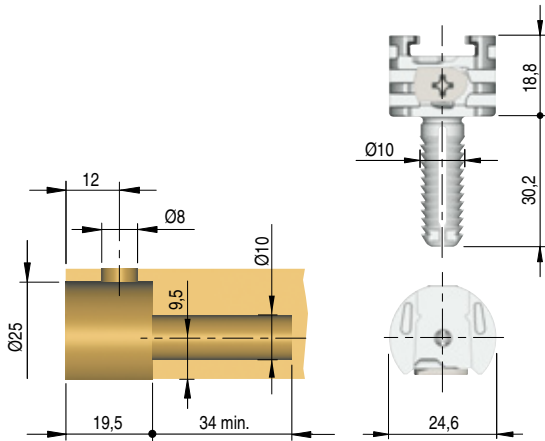


With Ø 4mm screw pre-inserted.  
Zinc alloy  
Steel

Part. no	Finish
11304050YA	Nickel-plated

Other finishes available on request

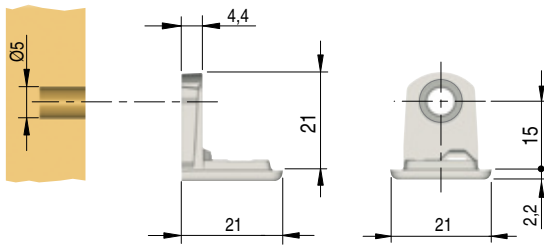
**SUPPORT FOR POKER - FOR 25, 28, 30mm THICK WOOD SHELVES**



Edge boring cam pin fix for 25, 28, 30mm shelf.  
Zinc alloy  
Engineering plastic

Part. no	Specific	Finish
11301030IL	With cam pin	Grey 20

**BRACKET FOR POKER**

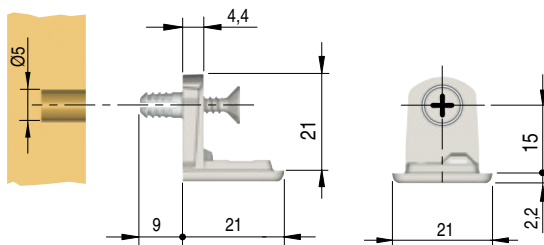


With Ø 6mm hole for euro screw.  
Zinc alloy

Part. no	Finish
11305010YA	Nickel-plated

Other finishes available on request

**BRACKET FOR POKER**

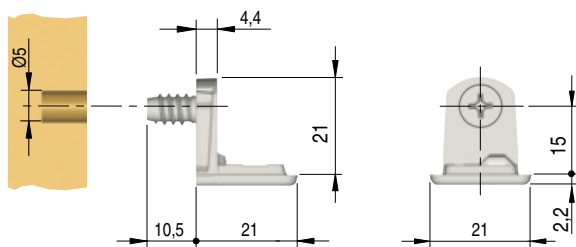


With spreading bush and screw pre-inserted.  
Zinc alloy  
Engineering plastic

Part. no	Finish
11305020YA	Nickel-plated

Other finishes available on request

**BRACKET FOR POKER**

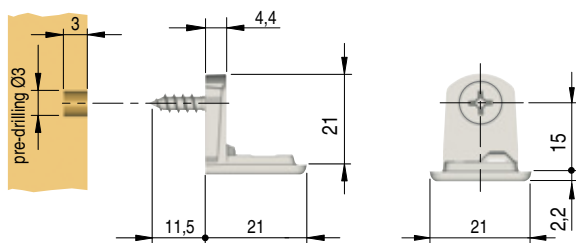


With Ø 6,2mm euro screw pre-inserted.  
Zinc alloy  
Steel

Part. no	Finish
11305030YA	Nickel-plated

Other finishes available on request

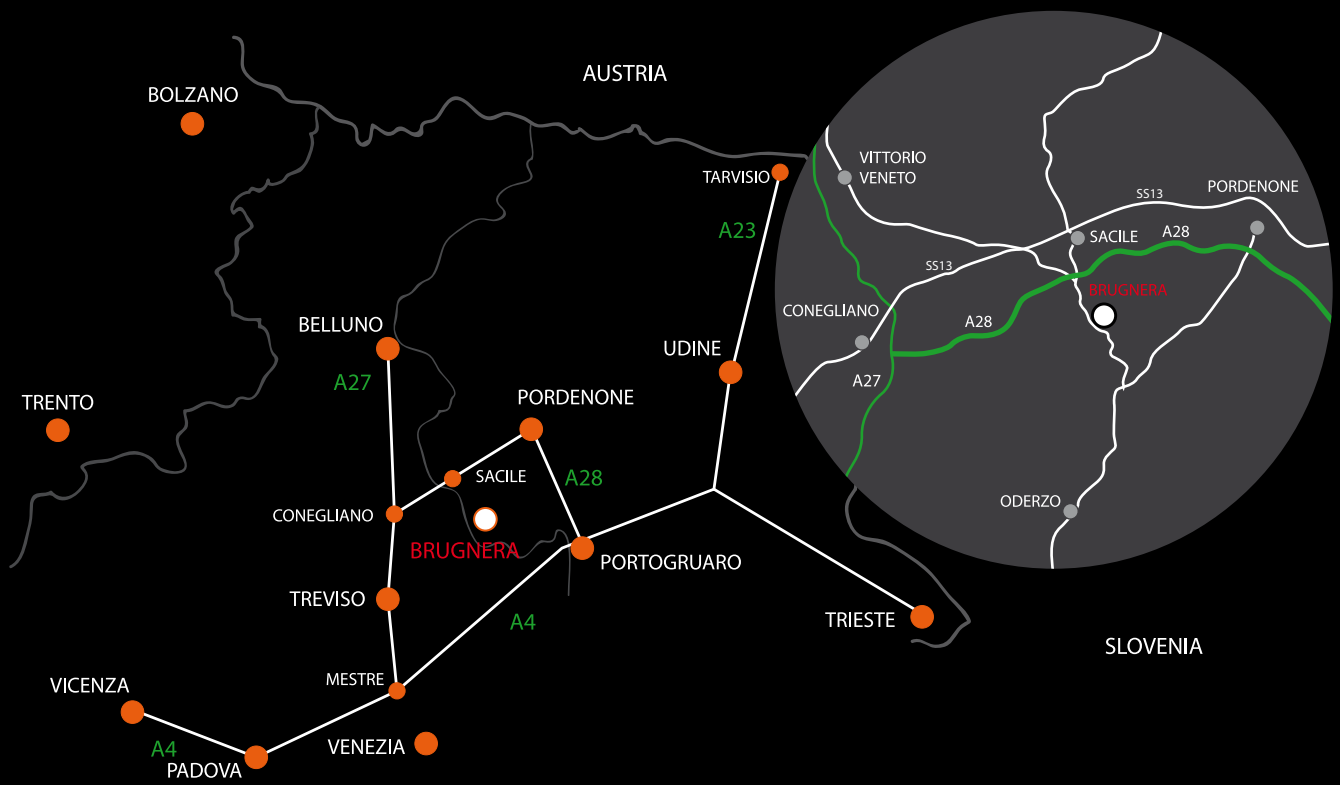
**BRACKET FOR POKER**



With Ø 4mm screw pre-inserted.  
Zinc alloy  
Steel

Part. no	Finish
11305050YA	Nickel-plated

Other finishes available on request



ITALIANA FERRAMENTA

Via Taglio n° 87 I - 33070 Maron di Brugnera (PN) Tel. +39 0434 428211 Fax +39 0434 428242 [www.italianaferramenta.com](http://www.italianaferramenta.com) [info@italianaferramenta.it](mailto:info@italianaferramenta.it)